

Self Electronic

خیابان جمهوری، بعد از پل حافظ
ساختمان عباسیان، طبقه همکف، پلاک ۷
تلفن: ۶۶۷۱۶۸۰۶ - ۶۶۷۴۵۴۷۳
فکس: ۶۶۷۴۲۳۶۸

TONGYANG ORGANIZATIONAL CHART	6
FACTORY'S ORGANIZATION CHART	7
FERRITE PRODUCTION PROCESS	8
MAIN TERMS & DEFINITIONS	9
MnZn MATERIAL CHARACTERISTIC	15
MnZn TYPICAL APPLICATION OF FERRITE CORES	21
EDR SPECIFICATION & SIZE	25
EE SPECIFICATION & SIZE	26
EC SPECIFICATION & SIZE	39
EF SPECIFICATION & SIZE	42
EFD SPECIFICATION & SIZE	43
EI SPECIFICATION & SIZE	45
EEL SPECIFICATION & SIZE	47
EPC SPECIFICATION & SIZE	49
ET SPECIFICATION & SIZE	50
ETD SPECIFICATION & SIZE	51
PQ SPECIFICATION & SIZE	53
RM SPECIFICATION & SIZE	56
EM SPECIFICATION & SIZE	58
GU SPECIFICATION & SIZE	59

POT SPECIFICATION & SIZE	61
UF SPECIFICATION & SIZE	63
UYF SPECIFICATION & SIZE	64
FERRITE ROD SPECIFICATION & SIZE	66
FERRITE FLUX SPECIFICATION & SIZE	67
FERRITE BEAD WITH ONE HOLE SPECIFICATION & SIZE	69
FERRITE BEAD WITH DOUBLE HOLE SPECIFICATION & SIZE	70
RING CORE (GREEN) SPECIFICATION & SIZE	71
RIGN CORE (YELLOW & WHITE) SPECIFICATION & SIZE	76
RING CORE (BLUE & GREEN) SPECIFICATION & SIZE	79
DRUM CORE SPECIFICATION & SIZE	80

Self Electronic

1. Initial permeability, μ_i

The initial permeability μ_i is the limit value at the initial magnetization curve's origin

Point and is given by the following formula:

$$\mu_i = \frac{1}{\mu_0} \lim_{H \rightarrow 0} \frac{B}{H}$$

Where

μ_0 : Permeability of vacuum ($4\pi \times 10^{-7}$ H/m)

H: Magnetic field strength (A/m)

B: Magnetic flux density (T)

2. Effective permeability, μ_e

This is usually defined as the permeability of a core forming a closed circuit where leakage flux is negligibly small.

$$\mu_e = \frac{L}{\mu_0 \cdot N^2} \cdot \frac{L_e}{A_e}$$

Where

L: self-inductance of core with coil (H)

N: number of turns

L_e : effective magnetic path length (m)

A_e : effective cross-sectional area (m^2)

3. Saturation magnetic flux density, B_s (T)

The magnetic flux density at a magnetic field where H is up to value .(Fig.1)

4. Residual magnetic flux density, B_r (T)

The value of flux density retained by the core when the magnetic field is reduced from the state of the effective saturation magnetic flux density to zero.(Fig.

5. Coercivity, H_c (A/m)

The value If magnetic field strength where by the flux density becomes zero under the intensification, in the opposite direction, of the magnetic field.(Fig.1)

6. Loss factor, $\tan\delta$

This is the sum of the hysteresis loss factor eddy current loss factor and residual loss factor.

$$\tan\delta = \tan\delta_h + \tan\delta_e + \tan\delta_r$$

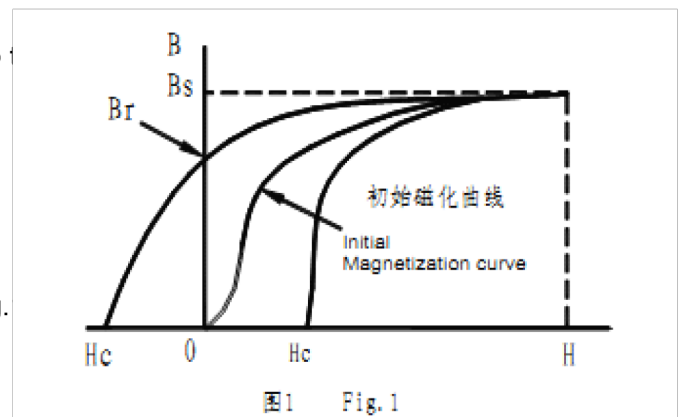


图1 Fig.1

Where

$\tan \delta_h$: the hysteresis loss factor

$\tan \delta_e$: the eddy current loss factor

$\tan \delta_r$: the residual loss factor

7. Relative loss factor, $\tan \delta / \mu$

This is the ratio of loss factor to permeability

$\tan \delta / \mu_1$ (for materials)

$\tan \delta / \mu_e$ (for cores with gaps in the magnetic circuit)

8. Quality factor, Q

This is the reciprocal of the loss factor and is given by

$$Q = 1 / \tan \delta$$

9. Temperature coefficient, α_μ (1/K)

This is the fractional difference of permeability per 1K in a temperature range of from T_1 to T_2 .

$$\alpha_\mu = \frac{\mu_2 - \mu_1}{\mu_1} \cdot \frac{1}{T_2 - T_1} \quad (T_2 > T_1)$$

Where

μ_1 : permeability at temperature T_1

μ_2 : permeability at temperature T_2

10. Relative temperature coefficient, $\alpha_{\mu r}$ (1/k)

This is the temperature coefficient per unit permeability and is given by the following equation:

$$\alpha_{\mu r} = \frac{\mu_2 - \mu_1}{\mu_2^2} \cdot \frac{1}{T_2 - T_1} \quad (T_2 > T_1)$$

11. Curie temperature, T_c (°C)

It is the critical temperature level at which the ferromagnetic state of the material changes to paramagnetic state. (Fig. 2)

12. Disaccommodation factor,

This is the factor representing the variation of permeability through time after a complete demagnetization

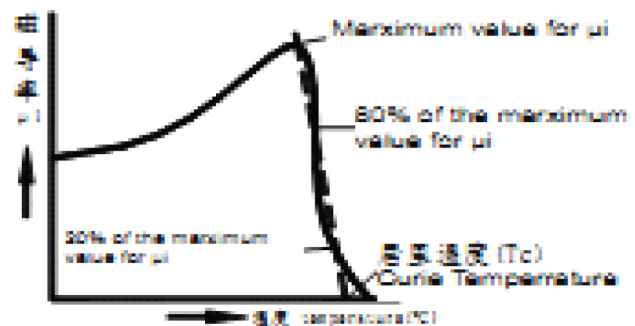


图2 Fig. 2

of the core at a constant temperature ture.

$$D_F = \frac{\mu_1 - \mu_2}{\log \frac{T_2}{T_1}} \cdot \frac{1}{\mu_1^2} \quad (T_2 > T_1)$$

Where

μ_1 : permeability t_1 minutes after complete demagnetization.

μ_2 : permeability t_2 minutes after complete demagnetization.

13. Electrical resistivity, ρ (Ω/m)

This is the electrical resistance per unit length and cross-sectional area of magnetic core.

14. Density, d (Kg/m^3)

This is the weight per unit volume of a magnetic core as expressed below:

$$d = W/V$$

Where

W: weight of magnetic body (Kg)

V: volume of magnetic body (m^3)

15. Power P_c (kW/m^3 , W/kg)

Power loss denotes the loss by an electrical transformer, such as a switching supply, under a magnetization condition featuring a high frequency and large amplitude. Operating magnetic flux density is given by the following equation:

$$B_m = \frac{E}{4.44fNA_e}$$

Where

E: voltage effective value applied to coil (V)

B_m : peak value of magnetic flux density (T)

f: frequency (Hz)

N: number of coil turns

A_e : effective cross-sectional area (m^2)

16. Inductance factor A_L (nH/N^2)

This is the inductance per turn of the coil wound around the ferrite cores with definite shape and dimension.

$$A_L = L/N^2$$

Where

L: inductance of the coil with ferrite core (H)

N: turns the coil

Power Ferrite material Characteristics

特性 Characteristics	单位 Unit	TY40	TY44	TY95	
初始磁导率 μ_i (10kHz) Initial permeability	25°C H<0.4A/m	2300 ±25%	2400 ±25%	3200 ±25%	
饱和磁通密度Bs Saturation magnetic flux density (H=1194A/m)	25°C mT	510	510	510	
	100°C mT	390	390	390	
剩磁Br Remanence	25°C mT	100	110	50	
	100°C mT	55	60	55	
矫顽力Hc Coercivity	25°C A/m	14	13	8	
	100°C A/m	9	6.5	9	
功率损耗 Pcv Core Loss	100kHz 200mT 正弦波	25°C kW/m ³	650	600	450
		60°C kW/m ³	/	/	350
		100°C kW/m ³	410	300	380
		120°C kW/m ³	500	400	430
电阻率 ρ Electrical resistivity	$\Omega \cdot m$	6.5	6.5		
居里温度Tc Curie temperature	°C	≥220	≥215	≥220	
密度d Density	kg/m ³	4.8×10 ³	4.8×10 ³	4.8×10 ³	

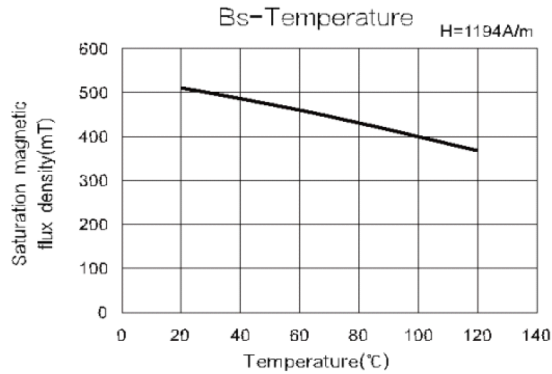
注：各表格所列无公差和范围要求的值均为典型值，不包括客户的特殊要求；有特殊要求时，应在订货合同或协议中给予明确。

Remark: The value of material's characteristics, which have no other requirement on the tolerance, are typical value. Please contact our company for more characteristics in your order or agreement.

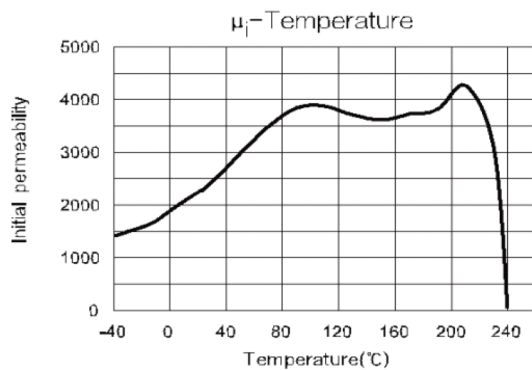
材料/Material: TY40

特点/Features:

1. 主要应用于中频段(小于200kHz)/Mostly Used at Middle Frequency (Less than 200kHz)
2. 低磁芯损耗,高饱和磁感应强度/Low Core Loss and High Saturation Flux Density
3. 损耗最低的温度点约在90°C/The Temperature Point of the Lowest Core Loss is 90°C



Initial permeability	μ_i	25°C	2300±25%	
Saturation magnetic flux density	B_s (mT)	25°C	510	
	1194A/m	100°C	390	
Remanence	B_r (mT)	25°C	100	
		100°C	55	
Coercivity	H_c (A/m)	25°C	14	
		100°C	9	
Core loss	P_{cv} (kW/m ³)	25°C	650	
		100kHz 200mT	100°C	410
			120°C	500
Curie temperature	T_c (°C)	≥220		
Electrical resistivity	ρ (Ω·m)	6.5		
Density	d (kg/m ³)	4.8×10 ³		

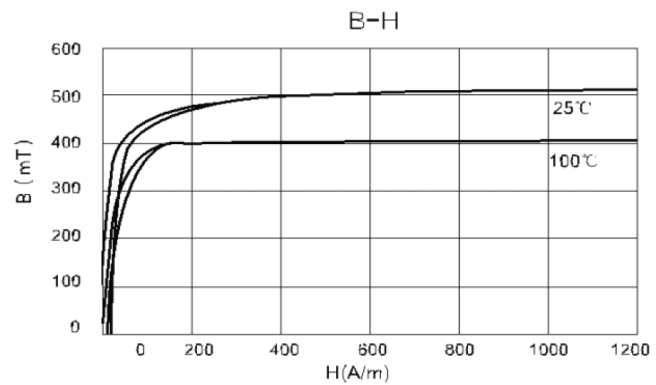
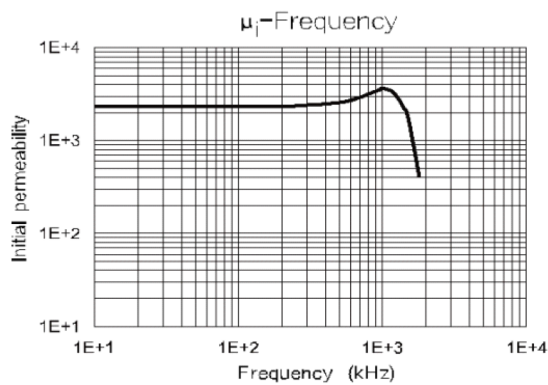


Test core: Toroid(mm)

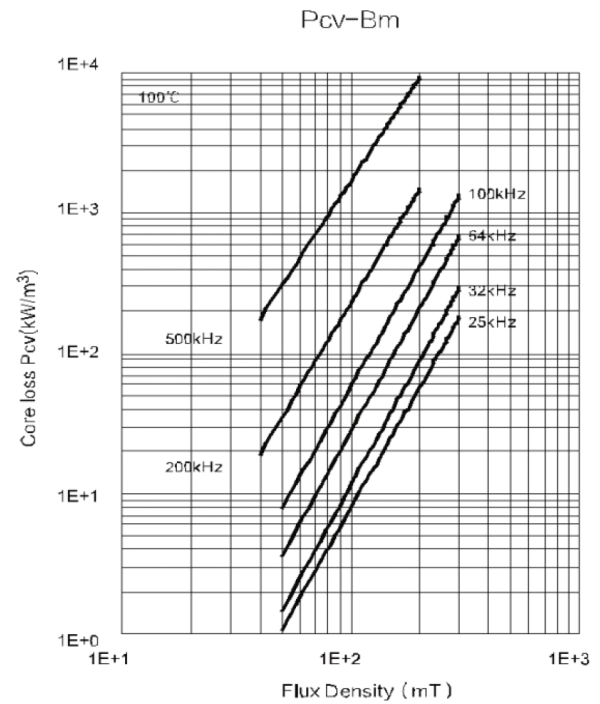
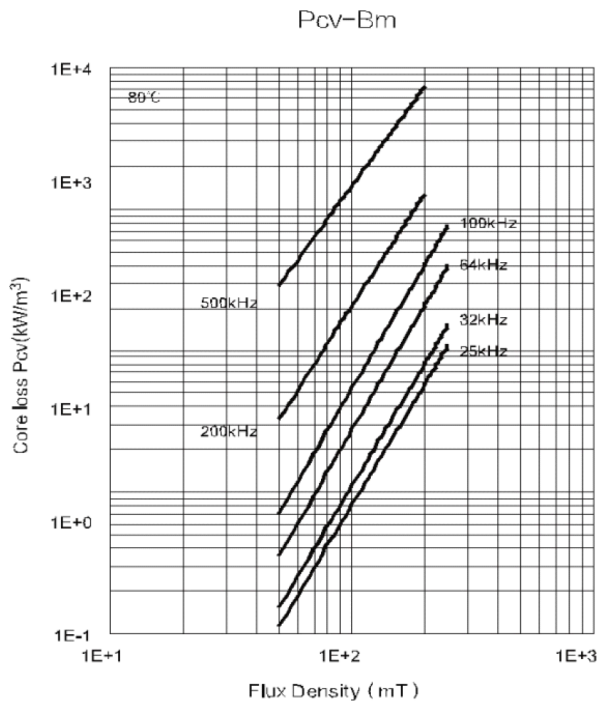
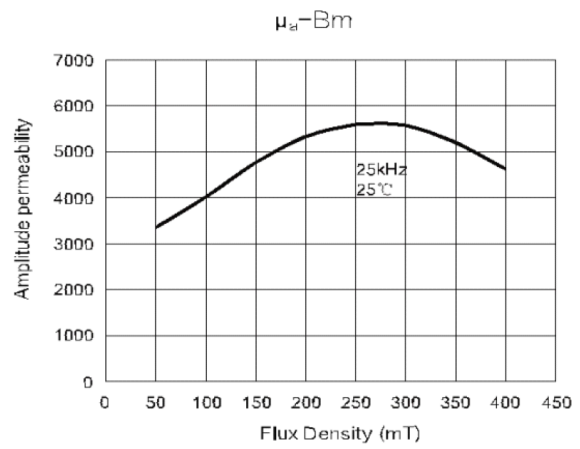
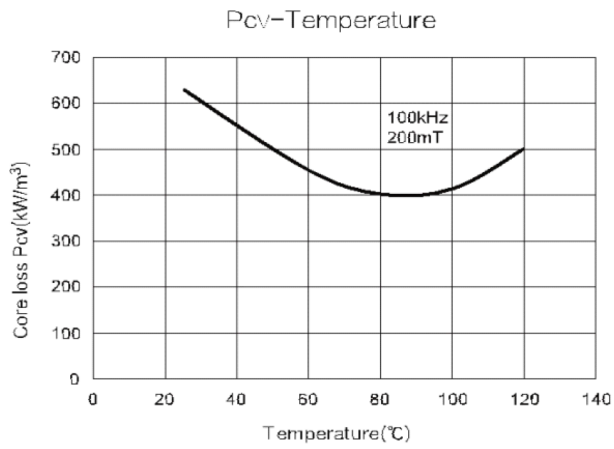
OD: 25

ID: 15

H: 7.5



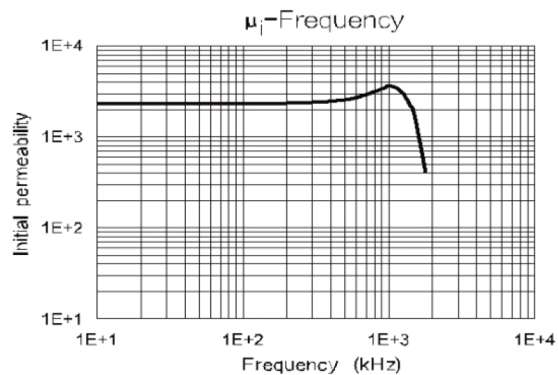
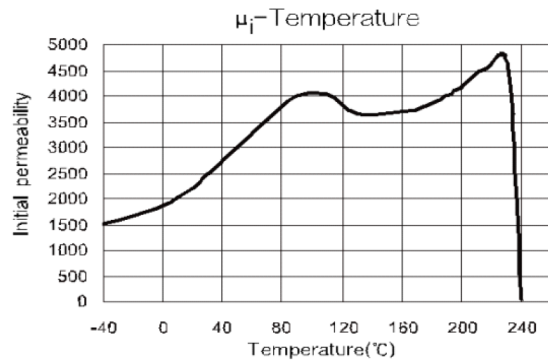
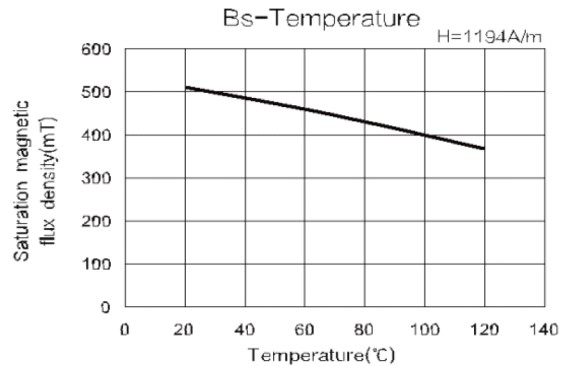
材料/Material: TY40



材料/Material: TY44

特点/Features:

1. 主要应用于中频段(小于300kHz)/Mostly Used at Middle Frequency (Less than 300kHz)
2. 低磁芯损耗,高饱和磁感应强度/Low Core Loss and High Saturation Flux Density
3. 损耗最低的温度点约在90°C/The Temperature Point of the Lowest Core Loss is 90°C



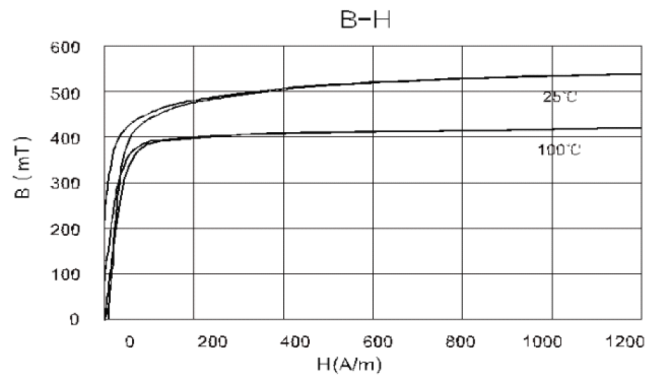
Initial permeability	μ_i	25°C	2400±25%	
Saturation magnetic flux density	Bs(mT)	25°C	510	
		100°C	390	
Remanence	Br(mT)	25°C	110	
		100°C	60	
Coercivity	Hc(A/m)	25°C	13	
		100°C	6.5	
Core loss	Pcv(kW/m ³)	25°C	600	
		100kHz 200mT	100°C	300
			120°C	400
Curie temperature	Tc(°C)	≥215		
Electrical resistivity	$\rho(\Omega\cdot m)$	6.5		
Density	d(kg/m ³)	4.8×10 ³		

Test core: Toroid(mm)

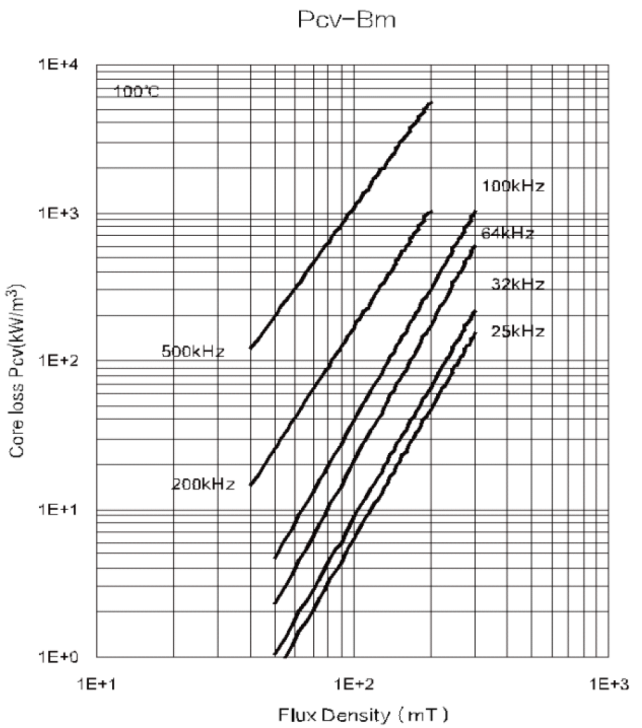
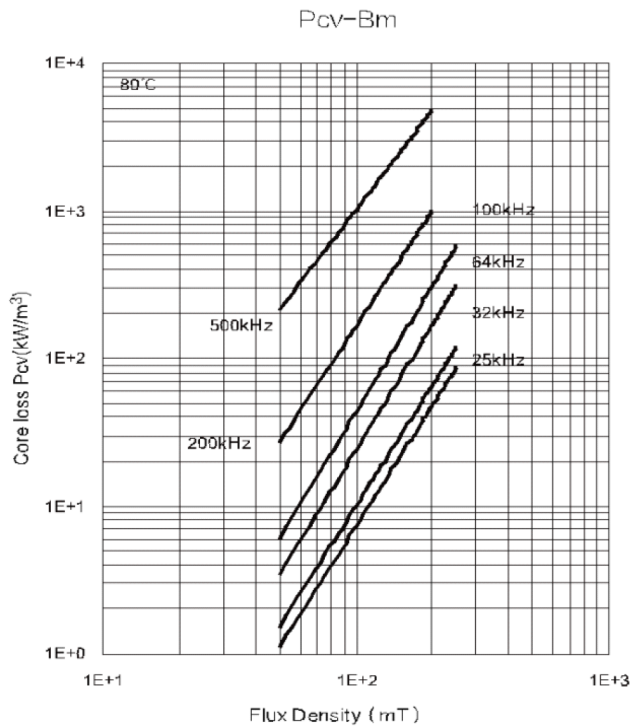
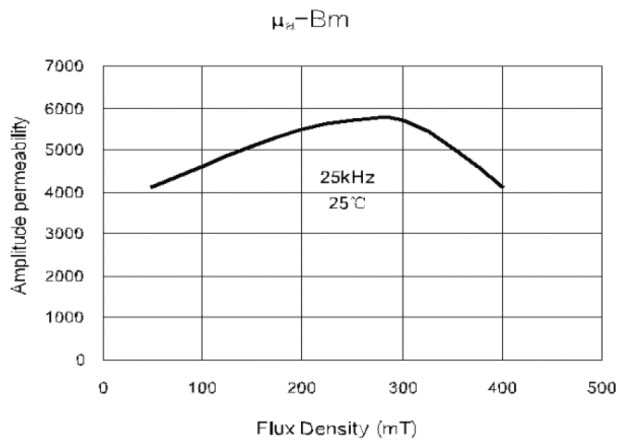
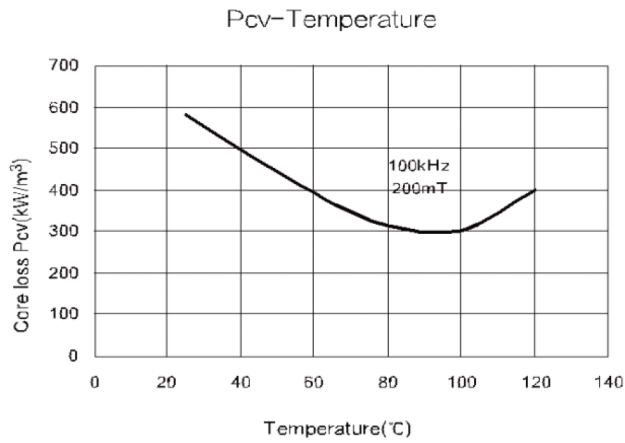
OD: 25

ID: 15

H: 7.5



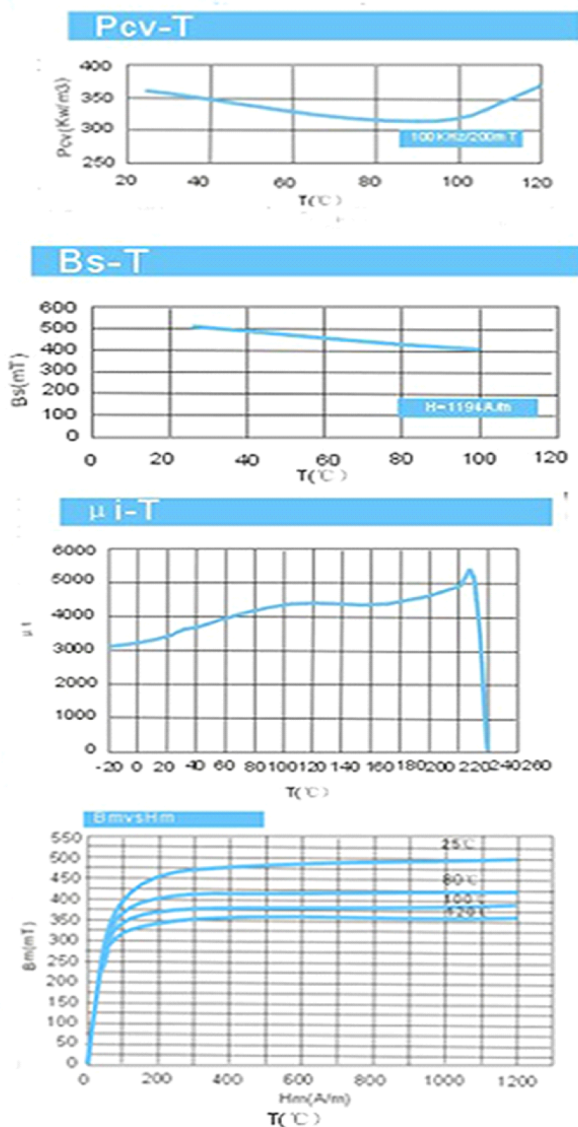
材料/Material: TY44



材料/Material: TY95

特点/Features:


- 1.高饱和磁感应强度/High Saturation Flux Density
- 2.较高的初始磁导率/High Initial Permeability
- 3.低磁芯损耗/Low Core Loss




初始磁导率	μ _i	25℃	3200±25%
饱和磁通密度	B _s (mT)	25℃	510
		100℃	390
剩磁	B _r (mT)	25℃	50
		100℃	55
矫顽力	H _c (A/m)	25℃	8
		100℃	9
功率损耗	P _{cv} (KW/m ³) 100KHz 200mT	25℃	450
		60℃	350
		80℃	380
		100℃	430
电阻率	ρ (Ω·m)		-
居里温度	T _c (℃)		≥220
密度	d (Kg/m ³)		4.8×10 ³

Test core: Toroid (mm)
 OD: 30
 ID: 19
 H: 9

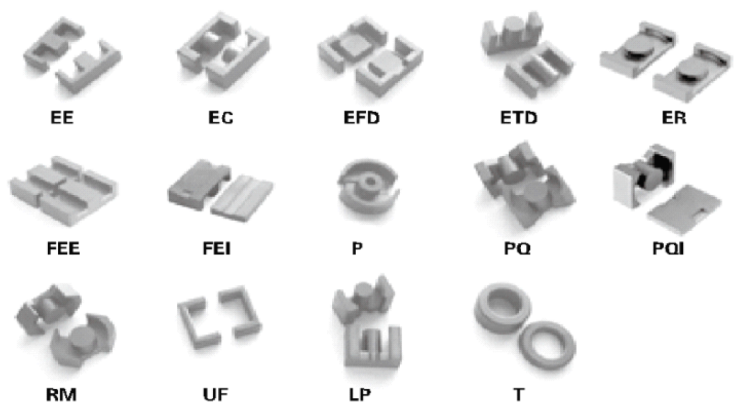
一、功率转换 Power conversion



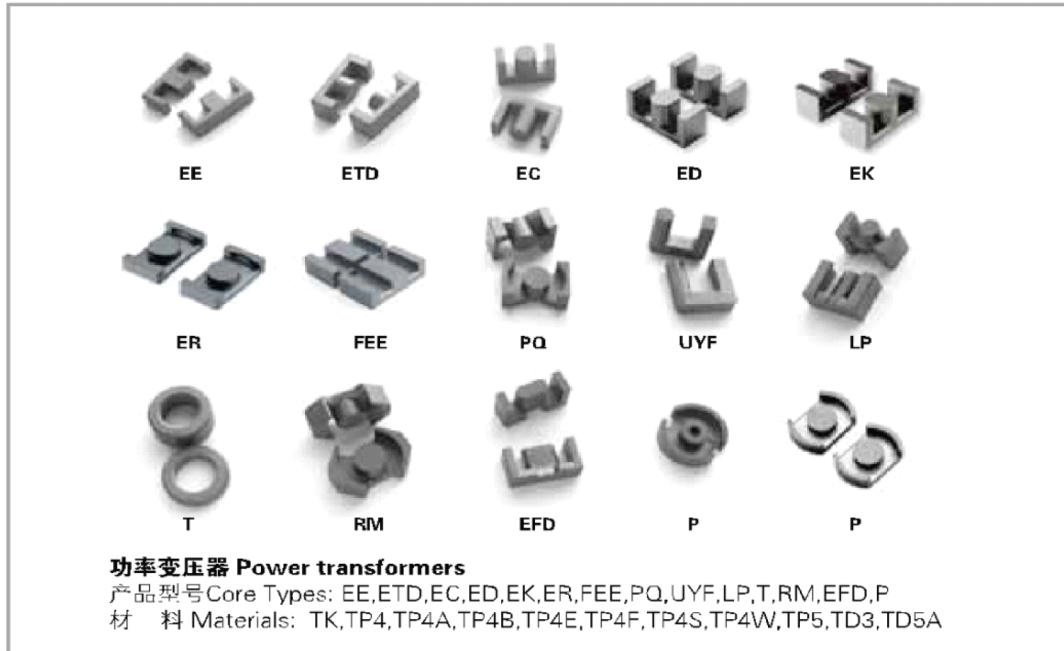
驱动变压器 Driver transformers
 产品型号 Core Types: EE, EFD, EP, RM, T
 材 料 Materials: TP4, TP4A, TP4B, TP4E, TP4F, TP5, TK, TS5, TP5, TH2



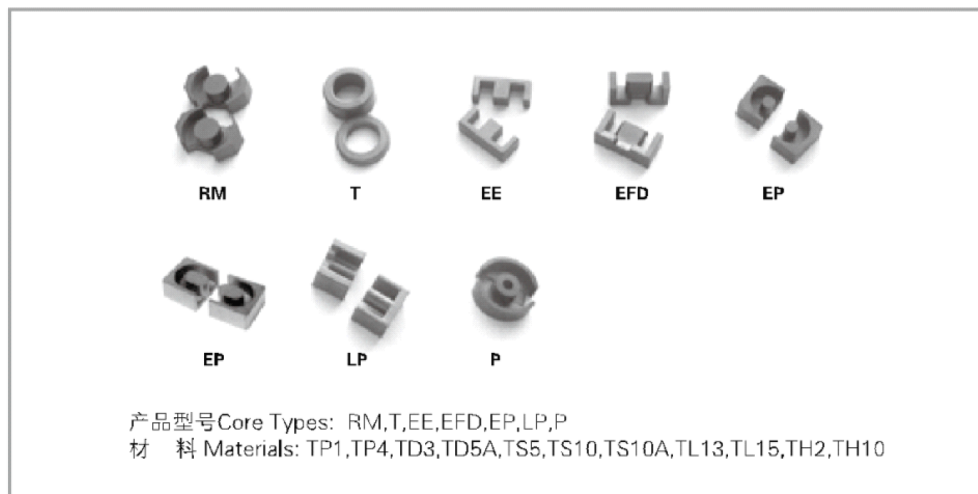
电流变压器 Current transformers
 产品型号 Core Types: T, UF
 材 料 Materials: TP4, TP4A, TP4B, TP4E, TP5, TK, TS5, TS10, TS10A, TL13, TL15



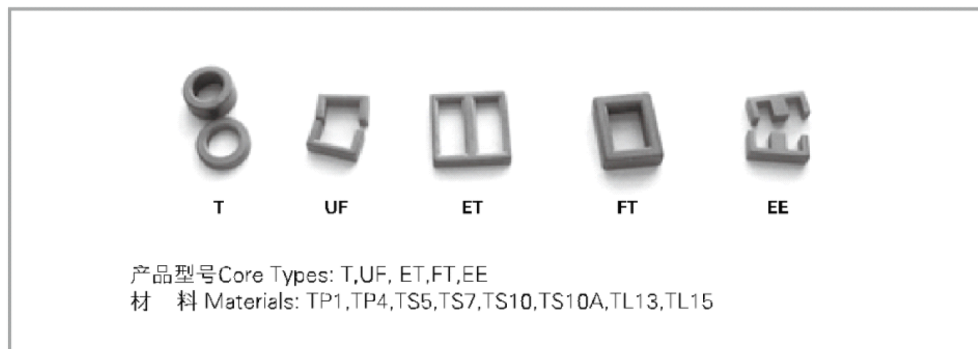
功率电感器 Power inductors
 产品型号 Core Types: EE, EC, EFD, ETD, ER, FEE, FEI, P, PQ, PQI, RM, UF, LP, T
 材 料 Materials: TK, TP4, TP4A, TP4B, TP4E, TP4F, TP4S, TP4W, TP5, TD3, TD5A



二、信号处理 Signal processing

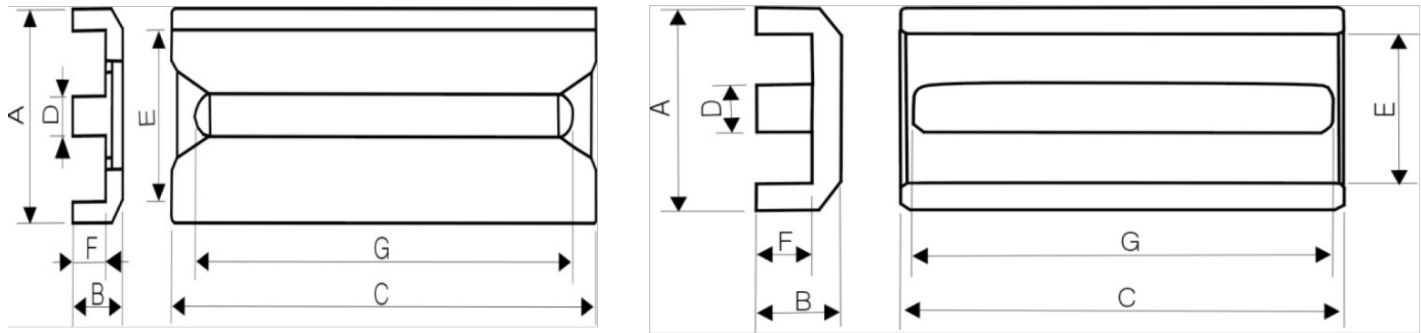


三、抗电磁干扰 EMI suppression



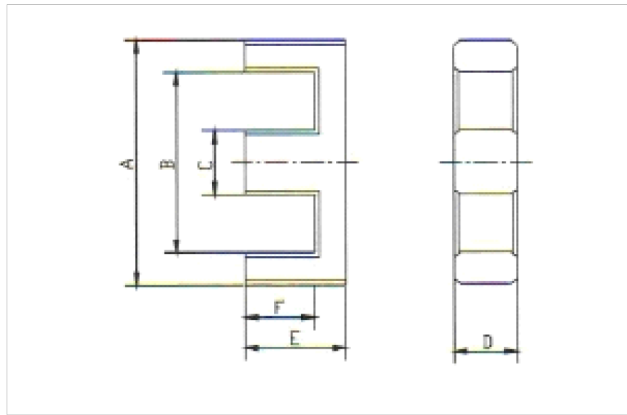
四、新能源逆变器 Cores for New energy inverters





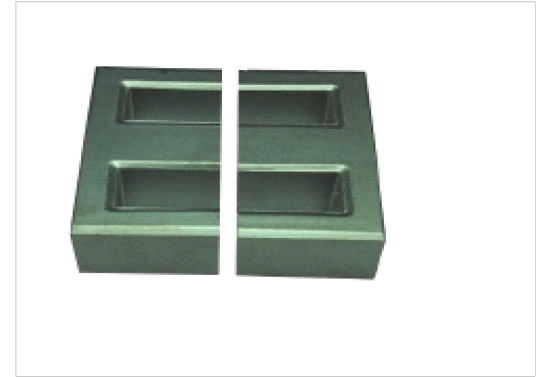
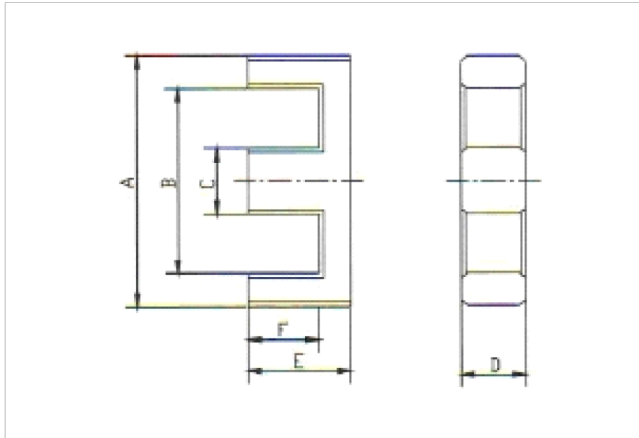
型号 Type		EDR2609	EDR2610	EDR2809	EDR2810	EDR3909	
尺寸 Dimension (mm)	形式	1	2	2	2	1	
	A	13.50±0.30	12.2±0.30	13.50±0.30	13.50±0.30	13.50±0.30	
	B	4.60±0.15	5.10±0.15	5.10±0.20	5.10±0.20	4.50±0.15	
	C	26.10±0.40	26.00±0.40	28.20±0.30	28.20±0.30	38.90±0.40	
	D	2.80±0.20	2.80±0.20	3.20±0.20	3.20±0.20	2.75±0.20	
	E	10.40±0.30	9.00±0.30	10.20±0.25	10.20±0.25	10.60±0.25	
	F	2.80±0.15	3.30±0.15	3.40±0.20	3.40±0.20	2.85±0.15	
	G	21.60±0.40	22.80±0.35	25.20±0.40	25.20±0.40	34.80±0.25	
磁芯常数 C1 (mm ⁻¹) Core Factor		0.32	0.33	0.28	0.28	0.21	
有效磁路长度 Le(mm) Effective Length Le		25.25	25.6	24.6	24.6	23.4	
有效截面积 Ae(mm ²) Effective Area		72.3	77.6	89.3	89.3	112.2	
有效体积 Ve(mm ³) Effective Volume		1870.5	1970	2112	2112	2655	
重量 w Weight(g)		10.4	10.9	11.1	11.1	15.1	
电感系数 AL (nH/N ²)	PC40						
	PC44	5500±25%	4800±25%	5500±25%	5600±25%	6800±25%	
	PC95	6250±25%	5600±25%	6300±25%	6300±25%	7200±25%	
	TY-7K						
	TY-10K						
	TY-15K						

Self Electronic



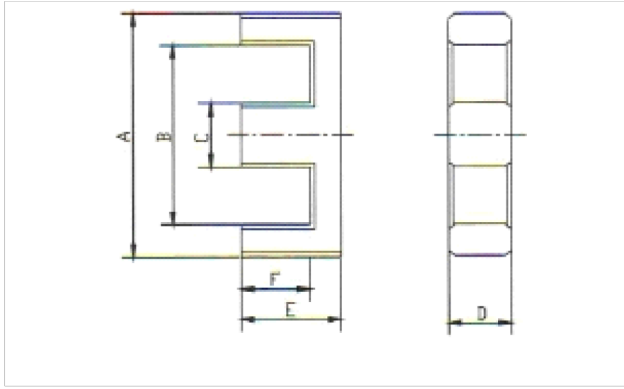
型号 Type		EE8/4/4	EE8.3/4/4	EE10/5.5/5	EE10.2/6/5	EE10.5/6/5	EE10/6/10
尺寸 Dimension (mm)	A	8.30±0.20	8.30±0.30	10.20±0.30	10.20±0.3	10.5±0.2	10.2±0.3
	B	6.00min	6.00min	7.80 min	7.5min	8min	7.5min
	C	1.85±0.15	2.00±0.2	2.50±0.20	2.40±0.2	2.4±0.2	2.5±0.2
	D	3.80±0.20	3.90±0.2	4.85±0.20	5.00±0.3	5.0±0.15	9.8±0.2
	E	4.20±0.15	4.25±0.2	5.50±0.20	5.80±0.2	5.8±0.15	5.8±0.2
	F	3.10±0.15	3.25±0.2	4.30±0.20	4.40±0.2	4.4±0.2	4.4±0.2
磁芯常数 $C1(\text{mm}^{-1})$ Core Factor		2.57	2.35	2.27	2.42	2.42	1.05
有效磁路长度 $L_e(\text{mm})$ Effective Length L_e		19.51	19.2	26.34	25.1	25.1	26.1
有效截面积 $A_c(\text{mm}^2)$ Effective Area		7.58	8.15	11.61	10.3	10.3	24.9
有效体积 $V_e(\text{mm}^3)$ Effective Volume		147.84	156.4	305.87	261.3	261.3	648.3
重量 Weight(g)		0.9	0.92	1.5	1.8	1.85	3.00
电感系数 $AL (\text{nH}/\text{N}^2)$	PC40	610±25%	675±25%	810±25%	950±25%	950±25%	1900±25%
	PC44	270±25%		900±25%			
	TY-5K						
	TY-7K						
	TY-10K	640±25%		2300±30%			
	TY-15K						

Self Electronic



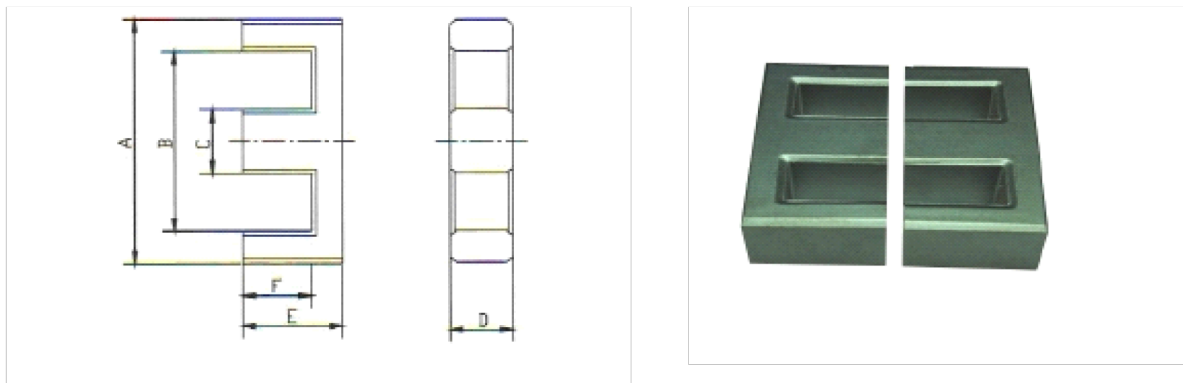
型号 Type		EE11.5/6/5	EE12.7/6/3.5	EE13/4.5/7	EE13/6/6	EE13/6.5/6	EE13/6/6
尺寸 Dimension (mm)	A	11.50±0.2	12.70±0.30	13.00±0.30	13.00±0.30	13.2±0.2	13.20±0.30
	B	8.70min	9.05min	9.50min	10.00min	10.10min	10.00 min
	C	2.45±0.15	3.55±0.20	2.70±0.20	2.75±0.20	3.10±0.15	2.60±0.20
	D	4.75±0.20	3.55±0.30	7.00±0.20	6.00±0.20	6.20±0.20	5.90±0.30
	E	5.75±0.20	6.40±0.20	4.50±0.20	6.40±0.20	6.50±0.15	6.40±0.20
	F	4.20±0.15	3.55±0.30	2.80±0.20	4.65±0.20	4.90±0.15	4.90±0.20
磁芯常数 $C_1(\text{mm}^{-1})$ Core Factor		2.12	2.38	2.42	1.76	1.63	1.92
有效磁路长度 $L_e(\text{mm})$ Effective Length L_e		27.3	30.2	30.6	26	31.5	30.88
有效截面积 $A_e(\text{mm}^2)$ Effective Area		12.86	12.7	10.5	17.3	19.4	16.08
有效体积 $V_e(\text{mm}^3)$ Effective Volume		351	386.1	547.9	300	611.9	496.7
重量 Weight(g)		1.8	2.1	2.7	2.6	2.9	2.7
电感系数 $AL (\text{nH/N}^2)$	PC40	1000±25%	810±25%	950±25%	1000±25%	1150±25%	1100±25%
	PC44						1200±25%
	TY-5K						1900±25%
	TY-7K						2500±25%
	TY-10K						2900±30%
	TY-15K						

Self Electronic



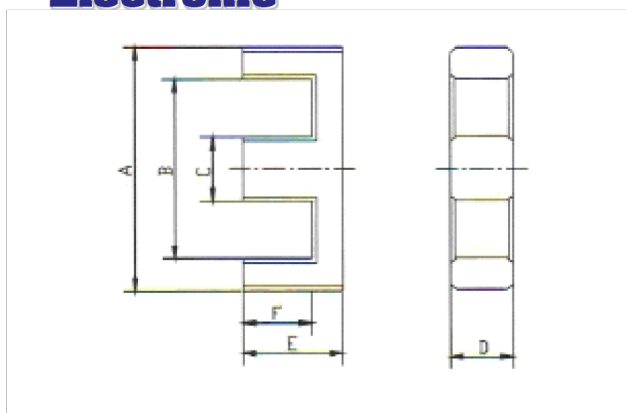
型号 Type		EE13.5/6/6	EE13/7/6	EE13/6.5/10	EE16/6.5/5	EE16/7/5	EE16.5/7/5
尺寸 Dimension (mm)	A	13.50±0.20	13.30±0.30	13.00±0.30	16.00±0.30	16.00±0.30	16.50±0.30
	B	10.50min	10.10min	9.30min	12.00min	11.70min	12.20min
	C	2.75±0.20	2.75±0.15	3.00±0.30	3.80±0.20	3.90±0.20	3.90±0.20
	D	6.10±0.20	6.00±0.20	9.80±0.20	4.80±0.20	4.80±0.20	4.80±0.20
	E	6.00±0.20	6.80±0.15	6.50±0.20	6.50±0.20	7.40±0.20	7.40±0.20
	F	4.65±0.25	5.50±0.20	4.80±0.30	4.40±0.20	5.40±0.20	5.40±0.20
磁芯常数 $C1(\text{mm}^{-1})$ Core Factor		1.76	2.12	1.2	1.67	1.73	1.84
有效磁路长度 $L_e(\text{mm})$ Effective Length L_e		30.6	34.6	29.8	32.1	34.4	36.2
有效截面积 $A_e(\text{mm}^2)$ Effective Area		17.3	16.2	35.6	19.2	19.8	19.6
有效体积 $V_e(\text{mm}^3)$ Effective Volume		547.9	560.5	1062	615.9	682.9	710.7
重量 Weight(g)		2.8	2.8	2.9	3.2	3.3	3.5
电感系数 $AL (\text{nH}/N^2)$	PC40	1000±25%	900±25%	2300±25%	1120±25%	1100±25%	1100±25%
	PC44						
	TY-5K						
	TY-7K						
	TY-10K						
	TY-15K						

Self Electronic



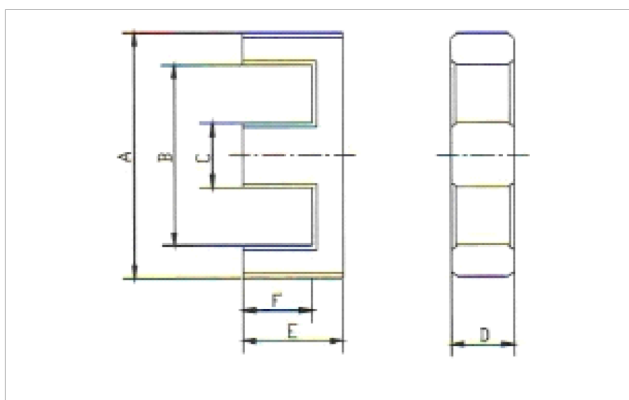
型号 Type		EE16/6/6	EE16/7.5/6.5	EE16/6/7	EE16/7/5	EE16/8/4.5	EE16/8/8
尺寸 Dimension (mm)	A	16.00±0.30	16.00±0.30	16.10±0.30	16.00±0.60	16.00±0.60	16.10±0.50
	B	11.50min	11.70min	11.30min	11.70 min	11.80 min	11.30min
	C	4.55±0.15	4.00±0.20	4.55±0.15	4.00±0.30	4.50±0.20	4.55±0.15
	D	6.00±0.20	6.50±0.30	7.20±0.20	4.80±0.30	4.50±0.20	8.15±0.25
	E	6.40±0.20	7.50±0.30	6.00±0.20	7.40±0.20	8.10±0.20	8.20±0.20
	F	4.20±0.20	5.40±0.30	3.85±0.15	5.20±0.20	6.00±0.20	6.00±0.15
磁芯常数 $C1(\text{mm}^{-1})$ Core Factor		1.15	1.48	0.92	1.85	1.94	1.03
有效磁路长度 $L_e(\text{mm})$ Effective Length L_e		30.8	35.5	29.4	35.01	37.93	37.6
有效截面积 $A_e(\text{mm}^2)$ Effective Area		26.9	24.0	31.9	18.88	19.52	36.3
有效体积 $V_e(\text{mm}^3)$ Effective Volume		827	855.2	938	660.87	740.48	1365
重量 Weight(g)		4.0	4.5	4.8	3.3	3.7	6.9
电感系数 $AL (\text{nH}/N^2)$	PC40	1900±25%	1254±25%	1900±25%	1100±25%	1100±25%	1940±25%
	PC44				1220±25%		
	TY-5K				2050±25%		
	TY-7K				2600±25%		
	TY-10K				3200±30%		
	TY-15K						

Self Electronic



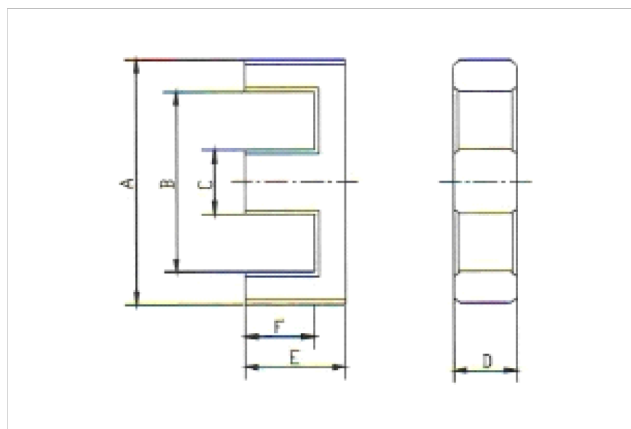
型号 Type		EE16/8/10	EE16/9/5	EE17/7/5	EE17.5/8/5	EE19/8/5	EE19/8/5
尺寸 Dimension (mm)	A	16.00±0.30	16.20±0.30	16.90±0.30	17.60±0.20	19.10±0.40	19.10±0.30
	B	11.70min	12.00min	12.80min	13.30min	14.20min	14.20min
	C	4.00±0.20	3.80±0.15	4.00±0.15	4.00±0.15	4.55±0.20	5.10±0.20
	D	9.80±0.20	5.00±0.20	4.90±0.20	4.90±0.20	4.90±0.20	5.10±0.20
	E	7.70±0.30	9.00±0.20	7.40±0.20	7.60±0.20	8.20±0.20	8.20±0.20
	F	5.50±0.20	7.00±0.20	5.40±0.20	5.40±0.20	5.90±0.20	5.90±0.20
磁芯常数 $C1(\text{mm}^{-1})$ Core Factor		0.87	2.12	2.05	1.82	1.68	1.62
有效磁路长度 $L_e(\text{mm})$ Effective Length L_e		36.4	42.5	38.8	36.7	39.5	40.2
有效截面积 $A_e(\text{mm}^2)$ Effective Area		41.7	19.9	18.9	20.7	22.8	24.8
有效体积 $V_e(\text{mm}^3)$ Effective Volume		1518	846	735	777	914	996
重量 Weight(g)		7.3	4.1	3.6	3.8	4.5	5.5
电感系数 $AL (\text{nH/N}^2)$	PC40	2150±25%	1100±25%	1100±25%	1100±25%	1180±25%	1300±25%
	PC44						
	TY-5K						
	TY-7K						
	TY-10K						
	TY-15K						

Self Electronic



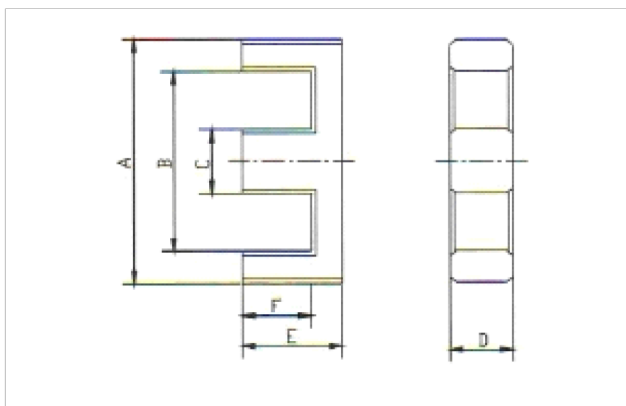
型号 Type		EE19/7.5/5.5	EE19/8/6.5	EE19/8/5	EE19/8/10	EE20/8/10	EE20/11/7
尺寸 Dimension (mm)	A	19.30±0.30	19.10±0.40	19.00±0.40	19.10±0.40	20.00±0.30	20.50±0.70
	B	13.50min	14.20min	14.50 min	14.20min	15.80min	13.50min
	C	5.65±0.15	4.55±0.20	4.85±0.25	4.55±0.20	4.55±0.20	5.00±0.30
	D	5.50±0.20	6.50±0.20	4.85±0.25	9.80±0.20	9.90±0.20	7.00±0.30
	E	7.50±0.20	8.20±0.20	8.10±0.20	8.20±0.20	8.20±0.20	10.70±0.30
	F	4.55±0.20	5.90±0.20	5.70±0.20	5.90±0.20	5.90±0.20	7.00±0.20
磁芯常数 C1(mm ⁻¹) Core Factor		1.11	1.6	1.75	0.88	0.95	1.21
有效磁路长度 Le(mm) Effective Length Le		35.17	40.0	39.65	40.5	41.9	47.1
有效截面积 Ae(mm ²) Effective Area		31.81	25.0	22.69	45.8	44.0	39.0
有效体积 Ve(mm ³) Effective Volume		1118.9	1200	899.70	1857.1	1840	1840
重量 Weight(g)		5.8	6.2	4.6	9.5	9.5	10
电感系数 AL (nH/N ²)	PC40	1800±25%	1500±25%	1200±25%	2000±25%	1900±25%	1900±25%
	PC44						
	TY-5K						
	TY-7K						
	TY-10K						
	TY-15K						

Self Electronic



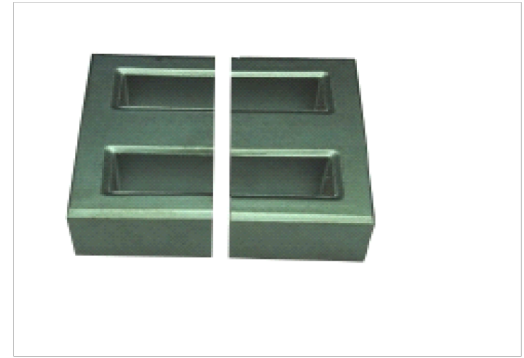
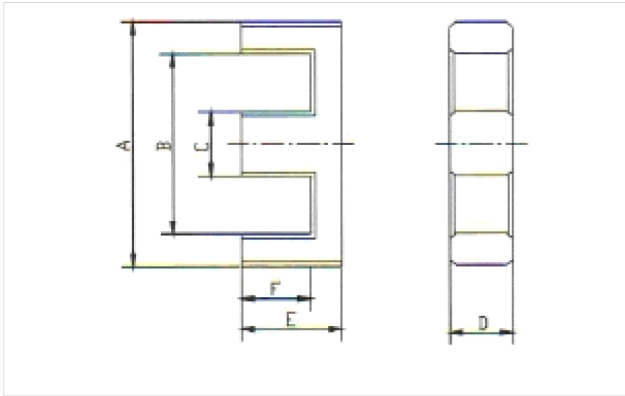
型号 Type		EE20/9/6.5	EE22/10/6	EE22/9/6	EE22/15/6	EE25/10/6	EE25/9/6.5
尺寸 Dimension (mm)	A	20.00±0.50	22.00±0.40	22.00±0.50	22.00±0.50	25.40±0.50	25.40±0.50
	B	14.20min	15.60 min	15.60min	15.75,min	18.70 min	19.05±0.50
	C	4.80±0.3	5.75±0.25	5.75±0.30	5.75±0.30	6.35±0.30	6.35±0.25
	D	6.50±0.20	5.75±0.25	5.70±0.30	5.75±0.25	6.35±0.30	6.50±0.30
	E	9.40±0.20	9.90±0.20	9.20±0.20	14.70±0.30	10.00±0.25	9.35±0.20
	F	6.80±0.20	5.80±0.20	5.40±0.20	10.70±0.30	6.70±0.25	6.60±0.20
磁芯常数 C1(mm ⁻¹) Core Factor		1.31	1.19	0.96	1.93	1.26	1.22
有效磁路长度 Le(mm) Effective Length Le		44.6	43.75	39.8	63.2	50.21	48.4
有效截面积 Ae(mm ²) Effective Area		33.9	36.91	41.0	32.7	39.77	39.7
有效体积 Ve(mm ³) Effective Volume		1510	1614.67	1620	2065.3	1997.21	1921
重量 Weight(g)		7.5	7.5	8.5	12.3	10.1	10
电感系数 AL (nH/N ²)	PC40	1750±25%	1800±25%	1900±25%	1300±25%	1800±25%	1900±25%
	PC44						
	TY-5K						
	TY-7K						
	TY-10K						
	TY-15K						

Self Electronic



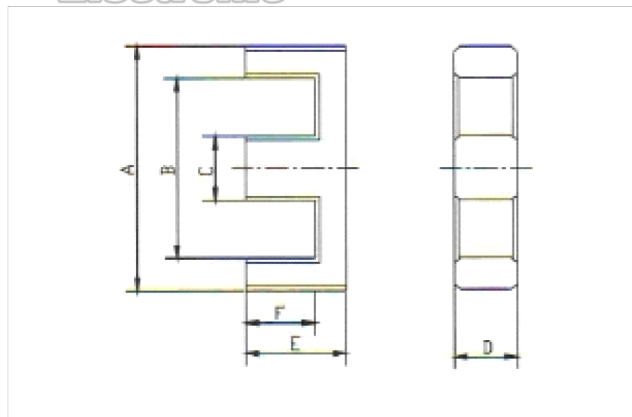
型号 Type		EE25/10/6	EE25/10/6	EE25/7/7	EE28/10/10	EE28/10.5/11	EE28/10/11
尺寸 Dimension (mm)	A	25.00±0.50	25.40±0.50	25.40±0.50	28.50±0.50	28.00±0.50	28.50±0.50
	B	18.60min	19.00min	19.00min	20.50 min	19.00±0.40	20.40 min
	C	5.80±0.20	6.40±0.30	6.40±0.30	7.15±0.30	7.20±0.30	7.20±0.30
	D	6.10±0.30	6.40±0.30	6.80±0.30	10.40±0.20	10.70±0.30	10.60±0.30
	E	9.80±0.30	10.00±0.30	6.80±0.30	10.00±0.30	10.50±0.20	10.20±0.30
	F	6.80±0.30	6.80±0.30	10.00±0.30	6.80±0.30	6.45±0.20	6.30±0.20
磁芯常数 $C1(\text{mm}^{-1})$ Core Factor		1.3	1.24	1.15	0.67	0.56	0.58
有效磁路长度 $L_e(\text{mm})$ Effective Length L_e		49.4	49	49.9	52.44	50.1	50.8
有效截面积 $A_e(\text{mm}^2)$ Effective Area		36.9	40	43.5	78.55	89.2	87.7
有效体积 $V_e(\text{mm}^3)$ Effective Volume		1823	1930	2170	4119.04	4469.9	4453
重量 Weight(g)		8.6	10	11.2	21	22	22.5
电感系数 $AL(\text{nH/N}^2)$	PC40	1500±25%	1800±25%	2000±25%	2600±25%	4210±25%	4210±25%
	PC44						
	TY-5K						
	TY-7K						
	TY-10K						
	TY-15K						

Self Electronic



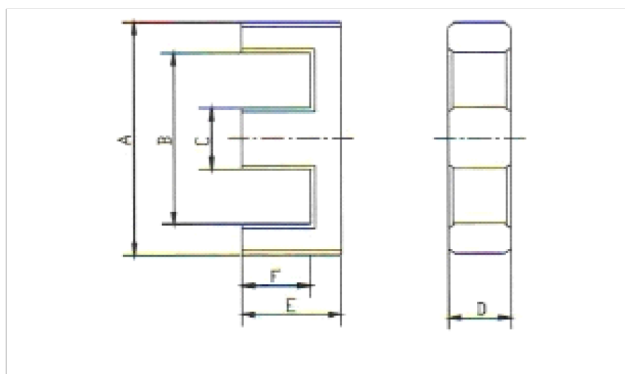
型号 Type		EE28/11/12	EE28/14/10	EE28/17/11	EE30/13/11	EE30/15/7	EE30/15/7
尺寸 Dimension (mm)	A	28.00±0.50	28.50±0.40	28.00±0.50	30.00±0.60	30.00±0.60	30.00±0.60
	B	19.00±0.40	20.10min	18.60min	19.70 min	20.50 min	19.50min
	C	7.20±0.30	7.20±0.20	7.20±0.30	10.70±0.20	6.95±0.25	6.95±0.25
	D	12.00±0.30	10.00±0.25	10.60±0.30	10.70±0.20	7.05±0.25	7.05±0.25
	E	10.70±0.20	14.20±0.20	16.75±0.30	13.00±0.30	15.00±0.20	15.00±0.30
	F	6.20±0.20	9.90±0.20	12.25±0.30	8.15±0.20	10.00±0.30	10.00±0.30
磁芯常数 $C1(\text{mm}^{-1})$ Core Factor		0.49	0.92	0.82	0.54	1.15	1.11
有效磁路长度 $L_e(\text{mm})$ Effective Length L_e		49.7	73.2	70.6	57.70	66.86	66.0
有效截面积 $A_e(\text{mm}^2)$ Effective Area		99.7	79.2	86.1	107.36	58.12	60.0
有效体积 $V_e(\text{mm}^3)$ Effective Volume		4952.2	5280	6077.4	6195.04	3886.14	3950
重量 Weight(g)		24.0	21	3.5	32	21	22
电感系数 $AL(\text{nH/N}^2)$	PC40	4500±25%	2800±25%	2930±25%	3500±25%	1950±25%	2000±25%
	PC44						
	TY-5K						
	TY-7K						
	TY-10K						
	TY-15K						

Self Electronic



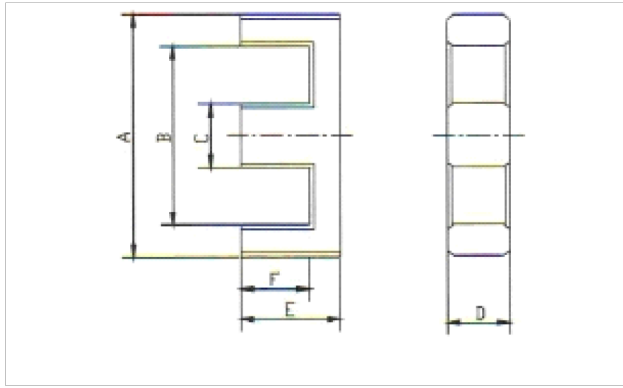
型号 Type		EE33/14/13	EE35/19/19	EE40/10/11.5	EE42/15/15	EE42/15/20	EE55/19/17
尺寸 Dimension (mm)	A	33.40±0.60	35.00±0.70	40.00±0.70	42.15±0.85	42.15±0.85	55.15±1.05
	B	24.10 min	25.60min	26.80 min	29.5 0min	29.5 0min	37.5 0min
	C	9.70±0.30	9.50±0.30	11.60±0.30	11.85±0.35	11.85±0.35	16.95±0.25
	D	12.70±0.30	19.00±0.30	11.60±0.30	14.85±0.35	19.85±0.35	16.75±0.25
	E	13.85±0.25	19.05±0.20	10.30±0.30	15.10±0.30	15.10±0.30	18.90±0.41
	F	9.45±0.25	23.80±0.20	17.30±0.30	21.20±0.40	21.20±0.40	27.50±0.30
磁芯常数 $C1(\text{mm}^{-1})$ Core Factor		0.59	0.6	0.53	0.6	0.4	0.44
有效磁路长度 $L_e(\text{mm})$ Effective Length L_e		66.87	107.7	77.28	97.8	97.8	124
有效截面积 $A_e(\text{mm}^2)$ Effective Area		113.69	180.1	145.74	180	235	282
有效体积 $V_e(\text{mm}^3)$ Effective Volume		7602.82	19401	11262.77	17600	23000	34900
重量 Weight(g)		39	94.5	56	86	115	182
电感系数 $AL (\text{nH}/\text{N}^2)$	PC40	3700±25%	4500±25%	4000±25%	4280±25%	5670±25%	4850±25%
	PC44						
	TY-5K						
	TY-7K						
	TY-10K						
	TY-15K						

Self Electronic



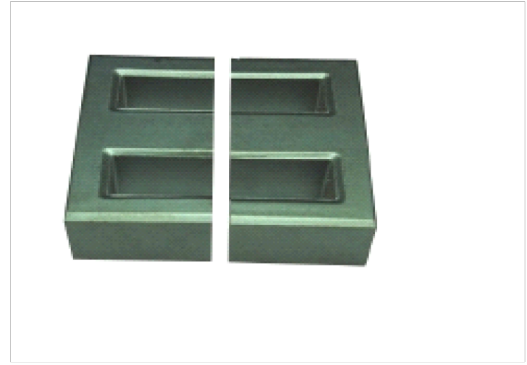
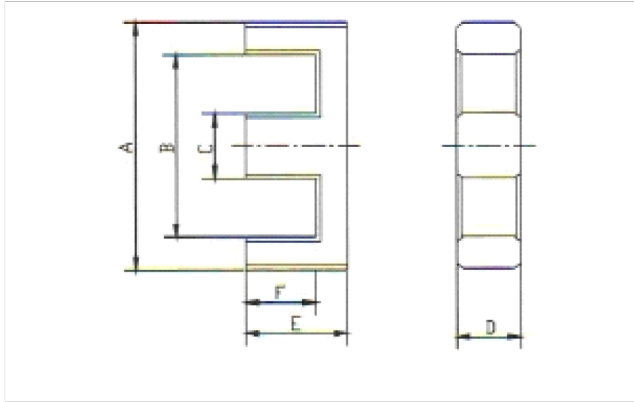
型号 Type		EE55/19/21	EE65/23/20	EE65/23/27	EE70/23/32	EE85/29/27	EE85/29/32
尺寸 Dimension (mm)	A	55.15±1.05	65.00±1.20	65.00±1.20	70.00±1.50	85.00±1.50	85.00±1.50
	B	37.50 min	44.20 min	44.20 min	48.00 min	55.00 min	55.00 min
	C	16.95±0.25	19.60±0.70	19.60±0.70	21.50±0.50	26.80±0.50	26.80±0.50
	D	20.75±0.25	20.00±0.60	27.00±1.00	32.00±0.60	26.50±0.50	31.50±0.50
	E	18.90±0.40	22.60±0.60	22.60±0.60	23.00±0.50	29.00±1.50	29.00±1.50
	F	27.50±0.30	32.50±0.60	32.50±0.60	33.00±0.60	43.00±1.00	43.00±1.00
磁芯常数 $C_1(\text{mm}^{-1})$ Core Factor		0.355	0.365	0.271	0.226	0.264	0.220
有效磁路长度 $L_e(\text{mm})$ Effective Length L_e		124	146	147	150	188	189
有效截面积 $A_c(\text{mm}^2)$ Effective Area		349	401	542	665	714	859
有效体积 $V_e(\text{mm}^3)$ Effective Volume		43200	58668	79800	99800	134000	162000
重量 Weight(g)		225	300	405	506	722	858
电感系数 $AL (\text{nH}/N^2)$	PC40	6000±25%	7200±25%	7300±25%	8600±25%	7630±25%	10000±25%
	PC44						
	TY-5K						
	TY-7K						
	TY-10K						
	TY-15K						

Self Electronic

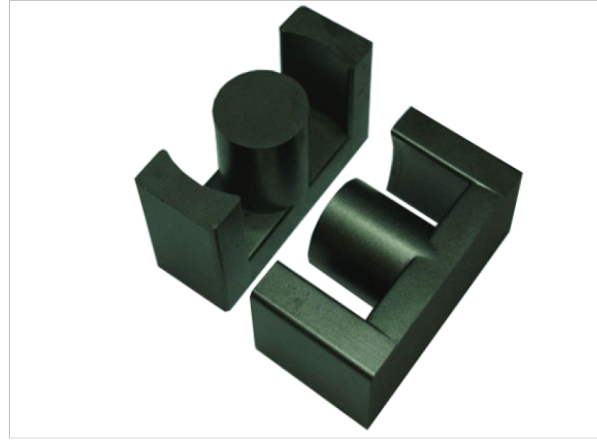
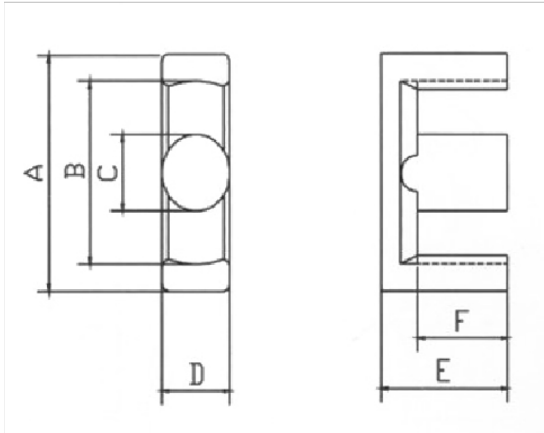


型号 Type		EE110/37/40	EE130/45/40	EE160/52/40	EE186/48/30	EE195/50/60	EE320/75/20
尺寸 Dimension (mm)	A	110.00±2.00	130.00±2.00	160.00±2.00	186.00±2.00	195.00±2.00	320.00±5.00
	B	74.20 min	90.00 min	118.00 min	126.00 min	133.00min	217.00min
	C	36.00±1.00	40.00±0.50	38.00±0.80	55.00±0.50	60.00±0.50	100.00±2.50
	D	40.00±0.80	40.00±0.50	40.00±1.00	30.00±0.50	60.00±0.50	20.00±2.00
	E	37.20±1.00	45.00±0.50	52.00±0.50	48.00±0.60	49.50±0.50	75.00±1.50
	F	56.00±0.50	65.00±0.50	70.00±1.00	78.00±0.60	79.50±0.50	125.00±0.50
磁芯常数 $C1(\text{mm}^{-1})$ Core Factor		0.1685	0.183	0.225	0.2033	0.204	0.289
有效磁路长度 $L_e(\text{mm})$ Effective Length L_e		276.8	1600	346.48	5745	1808	577
有效截面积 $A_e(\text{mm}^2)$ Effective Area		1642.6	293	1539	355	368	2000
有效体积 $V_e(\text{mm}^3)$ Effective Volume		454768	468800	533234.8	2039475	666434	115000
重量 Weight(g)		1820	2560	2705	3110	6910	5995
电感系数 $AL (\text{nH/N}^2)$	PC40	12300±25%	1136±25%	8900±25%	10230±25%	10210±25%	7350±25%
	PC44						
	TY-5K						
	TY-7K						
	TY-10K						
	TY-15K						

Self Electronic

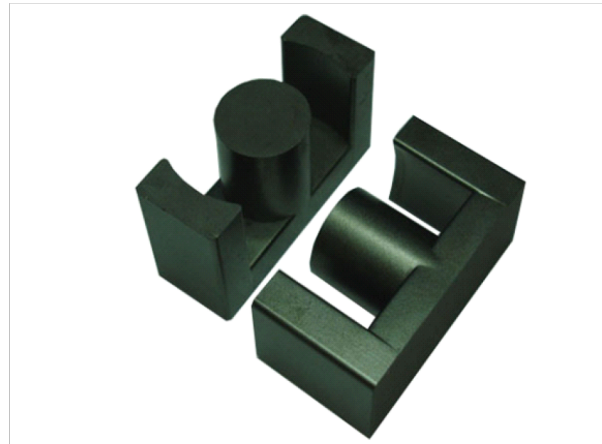
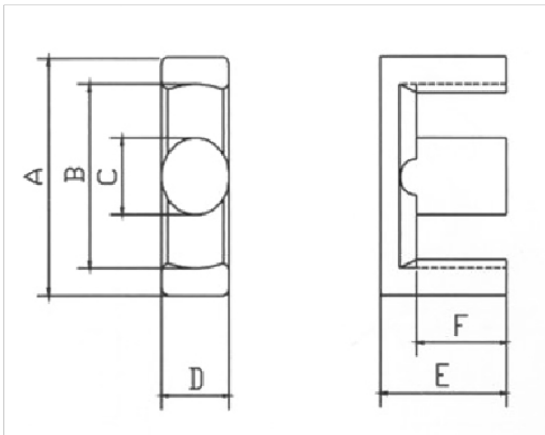


型号 Type		EE320/107/37.5					
尺寸 Dimension (mm)	A	320.00±2.50					
	B	238.00min					
	C	80.00±1.00					
	D	37.50±0.50					
	E	107.00±0.70					
	F	150.00±0.70					
磁芯常数 $C_1(\text{mm}^{-1})$ Core Factor		0.229					
有效磁路长度 $L_e(\text{mm})$ Effective Length L_e		3091					
有效截面积 $A_e(\text{mm}^2)$ Effective Area		708					
有效体积 $V_e(\text{mm}^3)$ Effective Volume		2188407					
重量 Weight(g)		10944					
电感系数 $AL(\text{nH}/\text{N}^2)$	PC40	9080±25%					
	PC44						
	TY-5K						
	TY-7K						
	TY-10K						
	TY-15K						



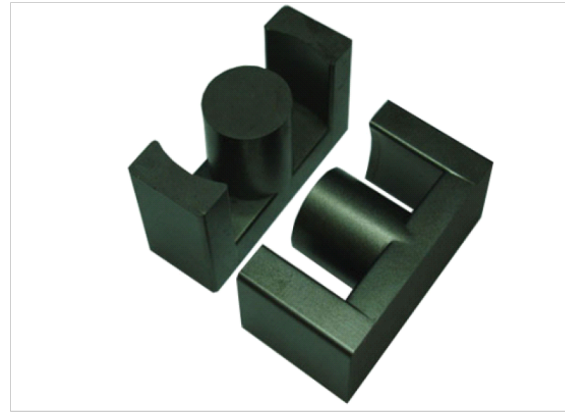
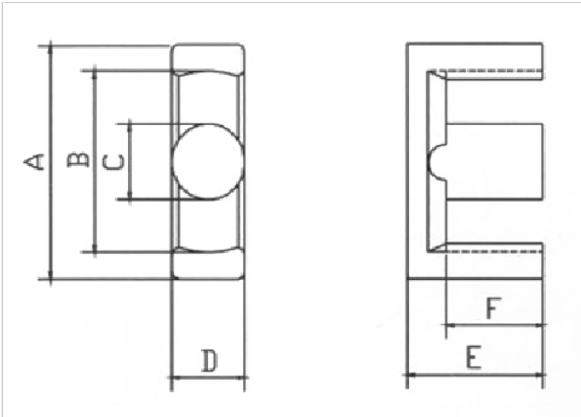
型号 Type		EC9.5/5/5	EC11/5/6	EC14.5/6/7	EC20/10/10	EC25/10/10	EC28/14/11
尺寸 Dimension (mm)	A	9.35±0.15	10.83±0.18	14.5±0.20	20.50±0.50	25.50±0.50	28.50±0.60
	B	7.40min	8.85min	11.80min	16.50min	18.60min	21.20min
	C	3.40±0.20	4.125±0.13	4.70±0.10	7.90±0.20	8.35±0.20	9.90±0.25
	D	4.90±0.10	5.90±0.10	6.70±0.10	9.90±0.25	10.00±0.25	11.40±0.25
	E	2.45±0.05	2.45±0.05	2.95±0.10	4.80±0.30	15.60±0.20	14.00±0.20
	F	1.67±0.07	1.57±0.075	1.65±0.10	2.80min	3.20min	9.65±0.25
磁芯常数 C1 (mm ⁻¹) Core Factor		1.49	1.32	1.08	0.619	0.635	0.74
有效磁路长度 Le(mm) Effective Length Le		13.5	15.0	19.0	29.5	31.4	63.18
有效截面积 Ae(mm ²) Effective Area		9.10	11.4	17.6	43.1	53.1	85.8
有效体积 Ve(mm ³) Effective Volume		122.1	170.3	333	1204.4	1694	5421
重量 w Weight(g)		0.6	0.9	1.7	5.9	9.2	27.2
电感系数 AL (nH/N ²)	PC40	800	870min	1400±25%	2400±25%	3200±25%	2800±25%
	PC44						
	TY-5K						
	TY-7K						
	TY-10K						
	TY-15K						

Self Electronic



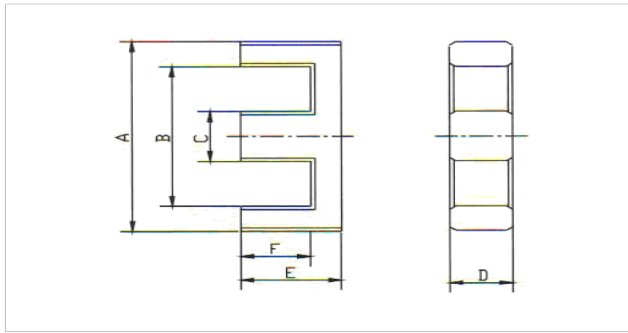
型号 Type		EC29/14/11	EC28/17/11	EC29/17/11	EC33/10/11	EC35/21/11	EC36/21/11
尺寸 Dimension (mm)	A	29.00±0.50	28.50±0.60	29.20±0.60	32.50±0.50	35.30±0.70	36.00±0.90
	B	21.80min	21.20min	21.80min	26.40min	26.40min	27.30min
	C	9.90±0.25	9.90±0.25	9.90±0.30	14.1±0.20	11.30±0.30	11.30±0.30
	D	11.40±0.25	11.40±0.25	11.40±0.30	11.35±0.30	11.30±0.30	11.30±0.30
	E	14.00±0.30	16.90±0.25	16.90±0.30	5.00±0.30	21.00±0.30	21.00±0.30
	F	9.70±0.20	12.50±0.25	12.50±0.30	2.80±0.30	15.20±0.30	15.00±0.30
磁芯常数 C1 (mm ⁻¹) Core Factor		0.79	0.92	0.93	0.49	0.84	0.86
有效磁路长度 Le(mm) Effective Length Le		65.0	75.4	76.4	31.3	88.6	92.68
有效截面积 Ae(mm ²) Effective Area		82.0	82.1	82.1	63.9	106.0	108.24
有效体积 Ve(mm ³) Effective Volume		5330	6190	6272	1999	9391.6	10032
重量 w Weight(g)		27.4	31	31.6	11.9	49.8	
电感系数 AL (nH/N ²)	PC40	2800±25%	3500±25%	2520±25%	3200±25%	3200±25%	2500±25%
	PC44						
	TY-5K						
	TY-7K						
	TY-10K						
	TY-15K						

Self Electronic



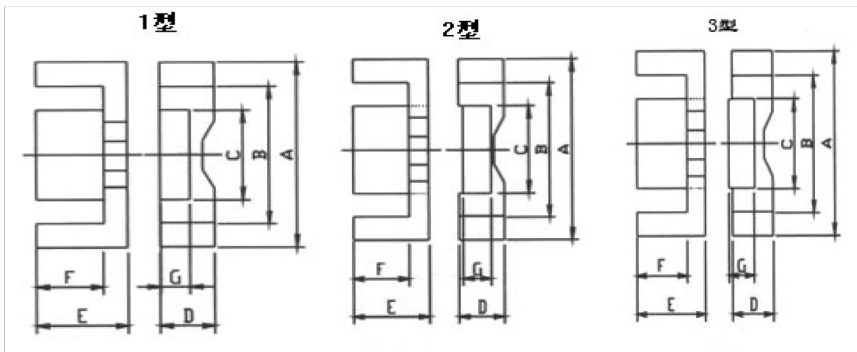
型号 Type		EC40/22/13	EC40/23/13	EC42/22/15	EC42/21/20	EC49/25/16	EC53/23/21
尺寸 Dimension (mm)	A	40.00±0.70	40.00±1.00	42.00±0.80	43.00±1.00	49.00±1.20	53.00±1.00
	B	29.40min	29.00min	30.50min	33.00min	36.80min	38.8min
	C	13.30±0.30	13.30±0.30	15.10max	17.30±0.40	16.30±0.40	19.80±0.40
	D	13.30±0.40	13.30±0.30	15.20±0.30	19.60±0.40	16.30±0.40	21.30±0.40
	E	22.40±0.30	23.00±0.30	22.40±0.30	21.40±0.30	24.70±0.30	23.20±0.30
	F	15.40±0.30	16.00±0.30	15.40±0.30	15.40±0.30	18.10±0.30	16.40±0.30
磁芯常数 C1 (mm ⁻¹) Core Factor		0.66	0.66	0.54	0.416	0.534	
有效磁路长度 Le(mm) Effective Length Le		98.0	98.0	97.2	99.8	114.0	
有效截面积 Ae(mm ²) Effective Area		149.0	149.0	179.0	240.0	213.0	
有效体积 Ve(mm ³) Effective Volume		14602	14588	17398.8	23950	24200	
重量 w Weight(g)		77.4	78	92	116	124.0	
电感系数 AL (nH/N ²)	PC40	3620±25%	3500±25%	3900±25%	5500±25%	3700±25%	
	PC44						
	TY-5K						
	TY-7K						
	TY-10K						
	TY-15K						

Self Electronic

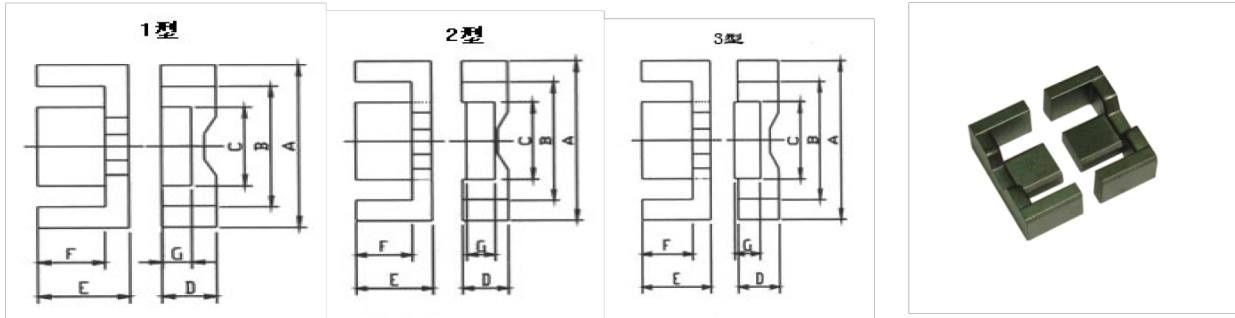


型号 Type		EF12.6/6/4	EF16/10/6	EF20/10/6	EF20/10/11	EF25/12.5/11	EF25/9/11
尺寸 Dimension (mm)	A	12.60±0.50	16.10±0.40	20.00±0.40	20.00±0.45	25.05±0.75	20.00±0.40
	B	8.60min	11.40 min	14.10 min	14.10 min	17.5 0min	14.2 0min
	C	2.70±0.20	4.40±0.20	5.60±0.20	5.60±0.25	7.20±0.30	5.80±0.20
	D	3.50±0.20	5.65±0.25	5.60±0.25	10.60±0.25	11.00±0.25	10.70±0.20
	E	6.30±0.20	9.90±0.20	10.10±0.20	10.20±0.30	12.55±0.25	9.30±0.20
	F	4.60±0.20	7.20±0.20	7.40±0.20	7.30±0.20	9.00 mm	6.40±0.20
磁芯常数 C1(mm ⁻¹) Core Factor		2.31	1.74	1.48	0.77	1.143	0.75
有效磁路长度 Le(mm) Effective Length Le		29.1	37.47	46.54	46.54	57.88	57.88
有效截面积 Ae(mm ²) Effective Area		12.7	20.48	31.44	60.90	50.64	77.43
有效体积 Ve(mm ³) Effective Volume		369	787.5	1463.3	2847.3	2931.2	4482.0
重量 w Weight(g)		2.0	3.65	7.3	13.7	14.0	23
电感系数 AL (nH/N ²)	PC40	800±25%	1100±25%	1450±25%	2500±25%	3000±25%	2000±25%
	PC44						
	TY-5K						
	TY-7K						
	TY-10K						
	TY-15K						

Self Electronic

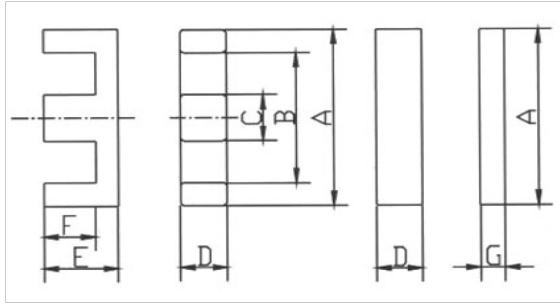


型号 Type		EFD15/7.5/4.6	EFD15/7.5/4.6	EFD20/10/6.6	EFD21/10/7	EFD25/12.5/9	EFD26/12.6/9
尺寸 Dimension (mm)	A	15.00±0.30	15.00±0.30	20.00±0.55	20.8±0.55	25.00±0.65	26.00±0.55
	B	11.00±0.25	11.00±0.25	16.00±0.50	15.70min	18.70±0.60	18.90min
	C	5.30±0.15	5.30±0.15	8.90±0.20	8.9±0.20	11.40±0.20	11.4±0.20
	D	4.60±0.15	4.60±0.15	6.60±0.30	6.7±0.20	9.10±0.20	9.10±0.20
	E	7.50±0.20	7.50±0.20	10.00±0.20	10.0±0.15	12.50±0.25	12.60±0.15
	F	5.50±0.20	5.50±0.20	7.70±0.25	7.65±0.20	9.30±0.30	9.30±0.20
	G	2.30±0.10	2.30±0.10	3.70±0.15	3.6±0.15	5.20±0.15	5.20±0.15
磁芯常数 C1(mm ⁻¹) Core Factor		2.41	2.35	1.47	1.52	1.03	0.973
有效磁路长度 Le(mm) Effective Length Le		33.1	33.3	46.1	47	55.8	58.4
有效截面 Ae(mm ²) Effective Area		13.7	14.1	31.4	30.8	53.9	60
有效体积 Ve(mm ³) Effective Volume		452.4	469.9	1451	1460	3900	3502
重量 w Weight(g)		2.8	2.8	7.2	7.3	16.7	16.8
电感系数 AL (nH/N ²)	PC40	870±25%	870±25%	1300±25%	1400±25%	2000±25%	2400±25%
	PC44						
	TY-5K						
	TY-7K						
	TY-10K						
	TY-15K						



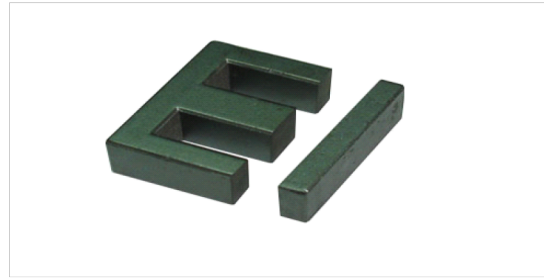
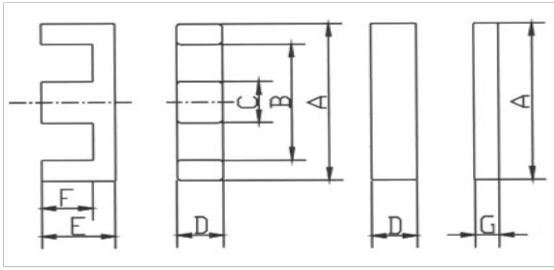
型号 Type		EFD30/15/9	EFD50/25/12	EFD50/30/13.5			
尺寸 Dimension (mm)	A	30.20±0.80	50.50±1.20	50.50±1.20			
	B	22.40±0.55	37.50min	34.80min			
	C	14.60±0.25	21.50±0.30	22.50±0.30			
	D	9.10±0.20	12.00±0.30	13.50±0.30			
	E	15.20±0.30	25.00±0.40	30.00±0.40			
	F	11.20±0.30	18.60±0.30	22.00±0.30			
	G	4.90±0.20	7.60±0.30	9.00±0.30			
磁芯常数 C1(mm ⁻¹) Core Factor		0.98	0.775	0.625			
有效磁路长度 Le(mm) Effective Length Le		68.0	120.80	130.0			
有效截面 Ae(mm ²) Effective Area		69.0	155.8	208.0			
有效体积 Ve(mm ³) Effective Volume		4692	18820	27000			
重量 w Weight(g)		24.2	89	130			
电感系数 AL (nH/N ²)	PC40	2100±25%	3200±25%	3600±25%			
	PC44						
	TY-5K						
	TY-7K						
	TY-10K						
	TY-15K						

Self Electronic



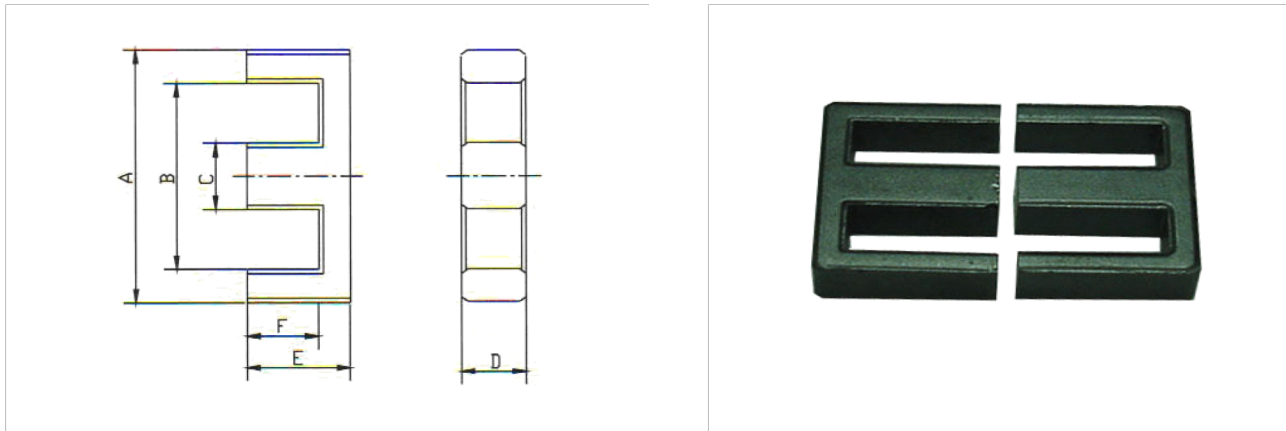
型号 Type		EI19/16/5.1	EI22/18/6	EI25/19/7	EI28/20/11	EI30/26/11	EI33/29/13
尺寸 Dimension (mm)	A	19.00±0.30	22.00±0.50	25.10±0.40	28.00±0.40	30.00±0.50	33.00±0.50
	B	13.70min	15.60min	19.10min	19.25min	20.00min	25.30min
	C	5.10 ⁺⁰ _{-0.50}	5.50±0.30	6.00 ⁺⁰ _{-0.60}	7.00 ⁺⁰ _{-0.60}	11.00 ⁺⁰ _{-0.70}	10.00 ⁺⁰ _{-0.50}
	D	5.10 ⁺⁰ _{-0.50}	5.60±0.20	7.00 ⁺⁰ _{-0.60}	11.00 ⁺⁰ _{-0.60}	11.00 ⁺⁰ _{-0.70}	12.40 ⁺⁰ _{-0.50}
	E	13.60±0.20	15.30±0.30	16.10±0.20	17.30±0.20	21.40±0.20	24.50±0.30
	F	11.30±0.30	11.40±0.20	13.25±0.25	12.8±0.20	16.50±0.30	19.20±0.30
	G	2.35±0.20	4.00±0.20	2.75±0.15	3.87±0.15	5.50±0.20	5.20±0.20
磁芯常数 C1(mm ⁻¹) Core Factor		1.68	1.148	1.21	0.59	0.537	0.567
有效磁路长度 Le(mm) Effective Length Le		39.2	42.5	48.0	49.5	55.8	67.1
有效截面积 Ae(mm ²) Effective Area		23.3	37.0	39.7	84.4	109	118
有效体积 Ve(mm ³) Effective Volume		913	1570	1900	4170	6440	7640
重量 w Weight(g)		4.6	7.9	9.7	22.0	33	40
电感系数 AL (nH/N ²)	PC40	1300±25%	1950±25%	1900±25%	3800±25%	4000±25%	3800±25%
	PC44						
	TY-5K						
	TY-7K						
	TY-10K						
	TY-15K						

Self Electronic

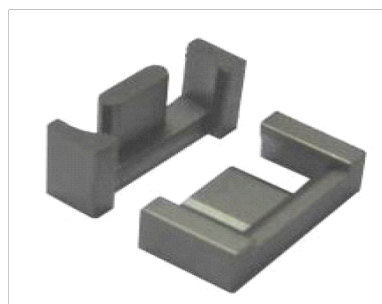
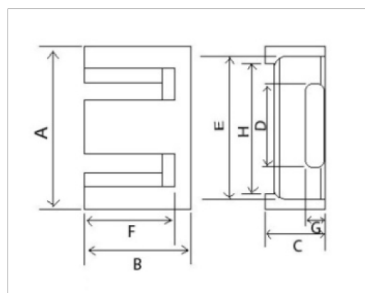


型号 Type		EI35/30/10	EI40/35/12	EI50/40/15	EI60/44/16		
尺寸 Dimension (mm)	A	35.00±0.40	40.00±0.50	50.10±0.60	60.20±0.80		
	B	25.00min	27.90min	34.50min	44.50min		
	C	10.00±0.30	12.00 ⁺⁰ _{-0.50}	15.00 ⁺⁰ _{-0.70}	15.80 ⁺⁰ _{-0.80}		
	D	10.00±0.30	12.00 ⁺⁰ _{-0.50}	15.00 ⁺⁰ _{-0.70}	15.80 ⁺⁰ _{-0.80}		
	E	24.50±0.50	27.50±0.30	33.30±0.40	36.20±0.40		
	F	18.50±0.40	20.50±0.40	24.90±0.40	27.90±0.40		
	G	5.00±0.30	7.50±0.20	9.00±0.25	8.50±0.25		
磁芯常数 C1(mm ⁻¹) Core Factor		0.554	0.526	0.417	0.452		
有效磁路长度 Le(mm) Effective Length Le		68.00	77.4	95.0	110.0		
有效截面积 Ae(mm ²) Effective Area		122.00	147	227	244		
有效体积 Ve(mm ³) Effective Volume		8350.00	11390	21660	26950		
重量 w Weight(g)		34.2	59	112	138		
电感系数 AL (nH/N ²)	PC40	3950±25%	4000±25%	5200±25%	4600±25%		
	PC44						
	TY-5K						
	TY-7K						
	TY-10K						
	TY-15K						

Self Electronic

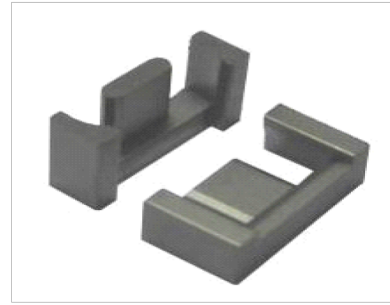
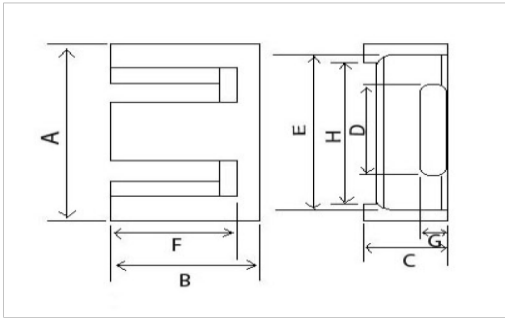


型号 Type		EEL16/12.5/5	EEL19/13.5/5	EEL22/15/6	EEL25/16/6		
尺寸 Dimension (mm)	A	16.00±0.40	19.20±0.40	22.00±0.60	25.40±0.50		
	B	11.70min	14.00 min	15.60 min	18.70 min		
	C	4.00±0.20			6.40±0.30		
	D				6.40±0.30		
	E	12.40±0.30	13.60±0.30	15.00±0.30	15.80±0.30		
	F	10.40±0.30	11.30±0.30	11.00±0.30	12.80±0.30		
磁芯常数 $C1(\text{mm}^{-1})$ Core Factor		2.80	2.67	1.82	1.84		
有效磁路长度 $L_e(\text{mm})$ Effective Length L_e		55.20	62.10	64.40	73.60		
有效截面积 $A_e(\text{mm}^2)$ Effective Area		19.40	23.00	35.30	40.10		
有效体积 $V_e(\text{mm}^3)$ Effective Volume		1085	1428	2272	2947		
重量 w Weight(g)		5.50	7.40	11.60	15.00		
电感系数 $AL(\text{nH}/\text{N}^2)$	PC40	750±25%	840±25%	1200±25%	1200±25%		
	PC44	790±25%	840±25%	1250±25%	1400±25%		
	TY-5K						
	TY-7K						
	TY-10K						
	TY-15K						



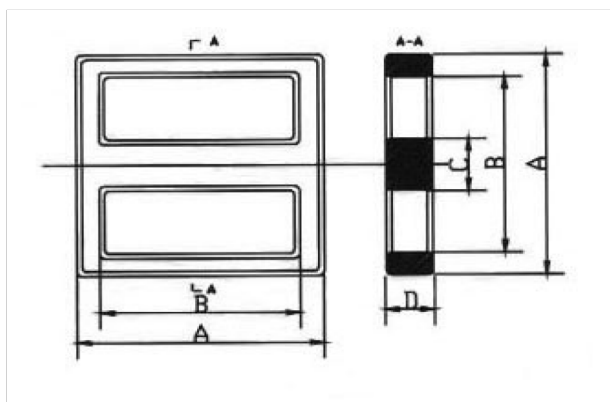
型号 Type		EPC10/4/3	EPC13/6/4	EPC13/6/5	EPC14/7/5	EPC16/8/8	EPC17/7/6
尺寸 Dimension (mm)	A	10.20±0.20	12.60±0.20	13.30±0.30	13.80±0.30	16.00±0.30	16.80±0.40
	B	4.05±0.10	5.8 ^{+0.08} _{-0.05}	6.60±0.20	6.65±0.20	8.05±0.10	7.30±0.20
	C	3.40±0.16	3.6 ⁺⁰ _{-0.25}	4.60±0.15	4.60±0.20	8.10±0.20	5.70±0.20
	D	5.00±0.10	6.05±0.15	5.60±0.15	5.60±0.20	5.50±0.15	7.50±0.15
	E	7.60min	8.95±0.15	10.50min	10.50min	14.00±0.30	13.50min
	F	2.65±0.10	3.35±0.10	4.50±0.20	4.50±0.20	1.65±0.15	5.50±0.20
	G	1.90±0.10	2.21±0.09	2.05±0.10	2.05±0.15	6.55±0.25	2.75±0.15
	H	5.30min	8.20min	8.30min	8.30min	10.00min	11.10min
磁芯常数 C1(mm ⁻¹) Core Factor		1.93	1.70	2.25	2.46	0.71	1.84
有效磁路长度 Le(mm) Effective Length Le		17.7	23.2	28.8	30.6	20.1	34.9
有效截面积 Ae(mm ²) Effective Area		9.2	13.3	12.8	12.5	28.4	19.0
有效体积 Ve(mm ³) Effective Volume		163	308	368	380	570	661
重量 w Weight(g)		0.9	1.7	2.0	2.15	2.7	3.6
电感系数 AL (nH/N ²)	PC40	950±25%	940±25%	870±25%	850±25%	2400±25%	1150±25%
	PC44						
	TY-5K						
	TY-7K						
	TY-15K						

Self Electronic



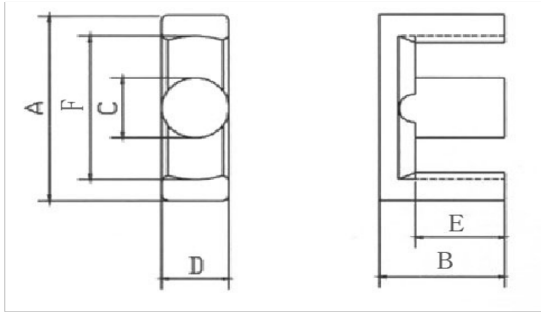
型号 Type		EPC17/8/6	EPC19/10/6	EPC25/13/8	EPC30/18/8	EPC39/20/16	EPC46/22/19
尺寸 Dimension (mm)	A	17.60±0.38	19.10±0.48	25.10±0.50	30.10±0.50	39.00±0.50	46.50±0.50
	B	8.55±0.20	9.75±0.20	12.50±0.20	17.50±0.20	19.60±0.20	22.20±0.20
	C	6.00±0.15	6.00±0.15	8.00±0.20	8.00±0.20	15.50±0.30	19.30±0.30
	D	7.70±0.15	8.50±0.15	11.50±0.15	15.00±0.30	17.60±0.30	20.80±0.30
	E	14.30min	15.80min	20.65min	23.60min	31.40±0.50	37.50±0.50
	F	6.05±0.30	7.25±0.20	9.00±0.30	13.00±0.30	14.10±0.20	15.50±0.20
	G	2.80±0.20	2.50±0.20	4.00±0.10	4.00±0.10	9.70±0.20	11.80±0.20
	H	11.50min	13.10min	17.10min	20.00min	25.20±0.50	30.20±0.50
磁芯常数 C1(mm ⁻¹) Core Factor		1.76	2.06	1.32	1.31	0.59	0.46
有效磁路长度 Le(mm) Effective Length Le		40.2	46.1	43.0	57.7	148.0	216.3
有效截面积 Ae(mm ²) Effective Area		22.8	22.7	56.8	75.6	87.8	100.2
有效体积 Ve(mm ³) Effective Volume		916.56	1046.47	2445	4359	12994	21665
重量 w Weight(g)		4.5	5.3	13.5	24.1	71.7	119.6
电感系数 AL (nH/N ²)	PC40	1150±25%	900±25%	1560±25%	1750±25%	4200±25%	4800±25%
	PC44						
	TY-5K						
	TY-7K						
	TY-10K						
	TY-15K						

Self Electronic



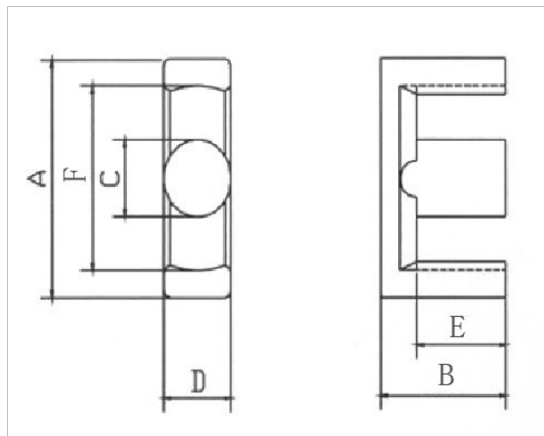
型号 Type		ET20	ET24	ET28	ET35		
尺寸 Dimension (mm)	A	20.10±0.40	24.20±0.50	28.70±0.50	35.30±0.60		
	B	16.10±0.40	19.40±0.40	22.70±0.50	27.30±0.60		
	C	4.00±0.20	4.00±0.20	5.00±0.30	7.50±0.30		
	D	4.40±0.20	4.00±0.30	5.00±0.30	7.50±0.30		
	E						
	F						
磁芯常数 C1(mm ⁻¹) Core Factor		2.88	3.43	2.70	1.48		
有效磁路长度 Le(mm) Effective Length Le		50.6	61.0	70.0	86.7		
有效截面积 Ae(mm ²) Effective Area		17.6	17.80	25.9	58.6		
有效体积 Ve(mm ³) Effective Volume		891	1086	1820	5081		
重量 w Weight(g)							
电感系数 AL(nH/N ²)	PC40						
	PC44						
	TY-5K						
	TY-7K	3300±30%	2700±30%	3800±30%	6400±30%		
	TY-10K	4100±30%	3500±30%	4800±30%	8000±30%		
	TY-15K						

Self Electronic



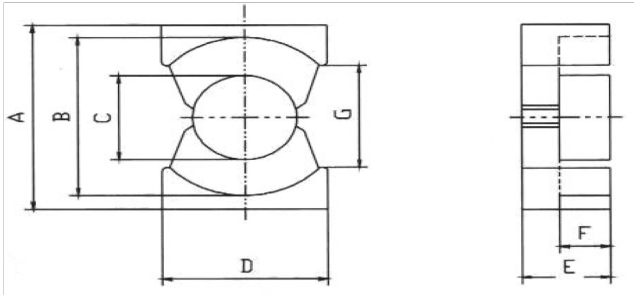
型号 Type		ETD29/15/10	ETD34/17/11	ETD39/20/13	ETD44/22/15	ETD49/25/16	ETD54/27/19
尺寸 Dimension (mm)	A	29.80±0.80	34.20±0.80	39.10±0.90	44.00±1.00	49.00±1.00	54.20±1.00
	B	15.80±0.30	17.30±0.20	19.80±0.20	22.30±0.30	24.70±0.30	27.10±0.30
	C	9.50±0.30	10.80±0.30	12.70±0.40	14.80±0.40	16.30±0.40	18.90±0.40
	D	9.50±0.30	10.80±0.30	12.70±0.30	14.80±0.40	16.30±0.40	18.90±0.30
	E	11.00±0.30	12.10±0.30	14.60±0.40	16.50±0.40	18.10±0.40	19.50±0.30
	F	22.0 0min	25.6 0min	29.30 min	32.50 min	36.10min	40.5 0min
磁芯常数 C1(mm ⁻¹) Core Factor		0.93	0.82	0.74	0.6	0.53	0.45
有效磁路长度 Le(mm) Effective Length Le		70.8	79.1	92.1	103.7	114.6	124.6
有效截面积 Ae(mm ²) Effective Area		75.9	96.6	125.0	172.0	212.3	277.3
有效体积 Ve(mm ³) Effective Volume		5373	7635	11510	17826	24318	34762
重量 w Weight(g)		28.6	40.7	61.3	94.4	130.1	185.2
电感系数 AL(nH/N ²)	PC40	2200	2500	2800	3600	4000	5000
	PC44						
	TY-5K						
	TY-7K						
	TY-10K						
	TY-15K						

Self Electronic



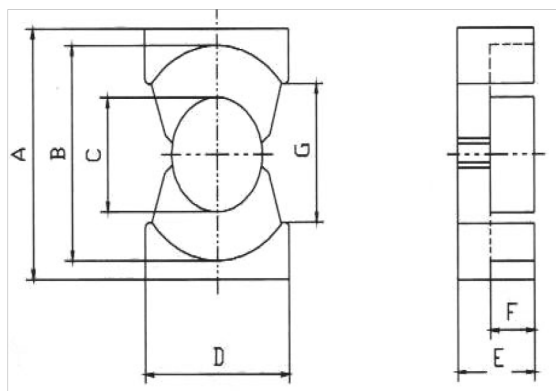
型号 Type	ETD59/31/22					
尺寸 Dimension (mm)	A	59.80±1.40				
	B	31.20±0.40				
	C	22.10±0.90				
	D	22.10±0.90				
	E	22.10±0.90				
	F	43.60min				
磁芯常数 C1(mm ⁻¹) Core Factor	0.38					
有效磁路长度 Le(mm) Effective Length Le	141.0					
有效截面积 Ae(mm ²) Effective Area	364.2					
有效体积 Ve(mm ³) Effective Volume	51500					
重量 w Weight(g)	274.4					
电感系数 AL(nH/N ²)	PC40	6120				
	PC44					
	TY-5K					
	TY-7K					
	TY-10K					
	TY-15K					

Self Electronic



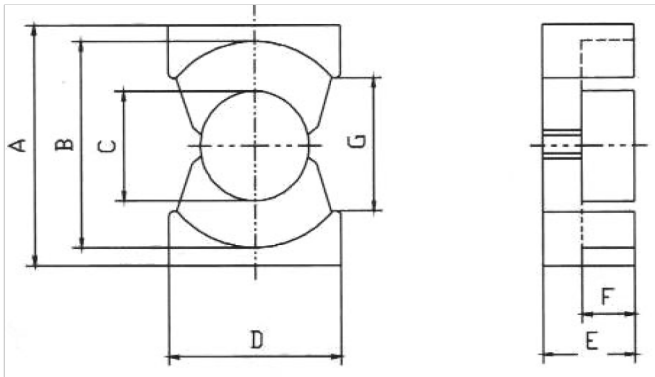
型号 Type		PQ2016	PQ2020	PQ2620	PQ2720	PQ2625	PQ2725
尺寸 Dimension (mm)	A	20.50±0.40	20.50±0.40	26.50±0.50	27.50±0.45	26.50±0.50	27.50±0.45
	B	18.00±0.40	18.00±0.40	22.50±0.50	23.5±0.45	22.50±0.50	23.70±0.45
	C	8.70±0.20	8.70±0.20	12.00±0.20	12.00±0.20	12.00±0.20	11.90±0.20
	D	14.00±0.40	14.00±0.40	19.00±0.50	19.00±0.45	19.00±0.50	19.00±0.45
	E	8.15±0.15	10.10±0.20	10.20±0.20	10.10±0.15	12.40±0.20	12.40±0.20
	F	5.20±0.20	7.15±0.30	5.80±0.20	5.80±0.15	8.10±0.20	8.05±0.15
	G	12.80min	12.80min	15.50min	17.00min	15.50min	16.50min
磁芯常数 C1(mm ⁻¹) Core Factor		0.605	0.74	0.391	0.391	0.391	0.478
有效磁路长度 Le(mm) Effective Length Le		37.4	45.5	46.3	46.3	46.3	56.5
有效截面积 Ae(mm ²) Effective Area		62.0	62.0	119.0	119.2	118.0	115.0
有效体积 Ve(mm ³) Effective Volume		2290	2755	5490	5230.2	6530	6740
重量 w Weight(g)		13.2	14.72	31	29.2	36	34.45
电感系数 AL(nH/N ²)	PC40	3300±25%	3000±25%	6170±25%	5400±25%	5250±25%	5000±25%
	PC44						
	TY-5K						
	TY-7K						
	TY-10K						
	TY-15K						

Self Electronic



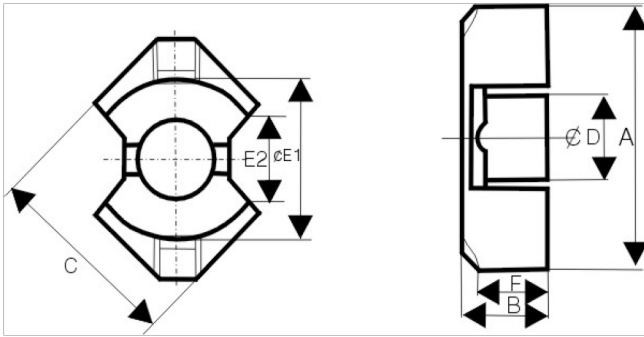
型号 Type		PQ3220	PQ3225	PQ3230	PQ3525	PQ3530	PQ3535
尺寸 Dimension (mm)	A	32.00±0.60	32.50±0.50	32.50±0.50	35.10±0.60	35.10±0.60	35.10±0.80
	B	27.50±0.50	27.50±0.50	27.50±0.50	31.00±0.80	31.00±0.80	31.00±0.60
	C	13.50±0.30	13.45±0.25	13.45±0.30	14.35±0.35	14.35±0.35	14.35±0.35
	D	22.00±0.50	22.00±0.50	22.00±0.50	26.00±0.50	26.00±0.50	26.0±0.50
	E	10.30±0.20	12.70±0.20	15.20±0.20	12.50±0.40	15.20±0.40	17.40±0.30
	F	5.80±0.20	8.20±0.20	10.70±0.20	8.30±0.40	10.30±0.40	12.50±0.20
	G	19.00min	19.70min	19.70min	23.30min	23.30min	23.50min
磁芯常数 C1(mm ⁻¹) Core Factor		0.326	0.40	0.464	0.36	0.40	0.448
有效磁路长度 Le(mm) Effective Length Le		55.5	64.6	74.6	67.8	74.8	87.9
有效截面积 Ae(mm ²) Effective Area		170.0	158.0	159.0	196.3	195.0	196
有效体积 Ve(mm ³) Effective Volume		9420	9890	11420	16794	16129.8	17260
重量 w Weight(g)		42	47.95	56.5	68.0	72.0	73.0
电感系数 AL(nH/N ²)	PC40	6700±25%	4880±25%	5800±25%	4400±25%	4750±25%	4860±25%
	PC44						
	TY-5K						
	TY-7K						
	TY-10K						
	TY-15K						

Self Electronic



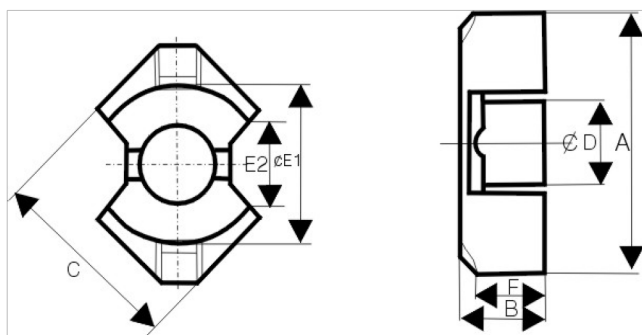
型号 Type		PQ4040	PQ5050			
尺寸 Dimension (mm)	A	40.50±0.90	50.00±1.20			
	B	37.00±0.80	44.00±1.00			
	C	14.70±0.40	19.80±0.40			
	D	28.00±0.60	32.00±0.70			
	E	19.90±0.20	25.00±0.20			
	F	14.80±0.20	18.10±0.20			
	G	27.50min	31.5min			
磁芯常数 C1(mm ⁻¹) Core Factor		0.508	0.346			
有效磁路长度 Le(mm) Effective Length Le		101.9	113.0			
有效截面积 Ae(mm ²) Effective Area		201	328			
有效体积 Ve(mm ³) Effective Volume		20450	37238			
重量 w Weight(g)		91	187			
电感系数 AL(nH/N ²)	PC40	4300±25%	6720±25%			
	PC44					
	TY-5K					
	TY-7K					
	TY-10K					
	TY-15K					

Self Electronic



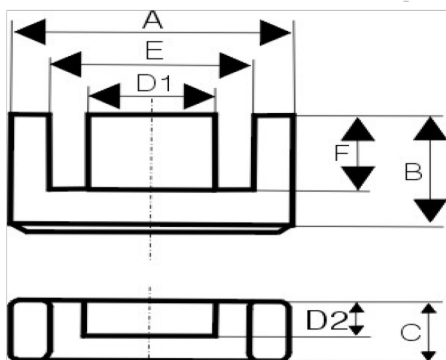
型号 Type		RM4	RM5A	RM5	RM6	RM8	RM8L
尺寸 Dimension (mm)	A	11.00±0.20	14.30±0.25	14.60±0.25	17.60±0.60	22.75±0.45	22.75±0.45
	B	5.25±0.20	5.40±0.10	5.25±0.20	6.30±0.20	8.60±0.20	6.20±0.20
	C	9.80±0.10	12.30±0.30	12.30±0.10	14.40±0.45	19.20±0.40	19.20±0.40
	F	3.50±0.20	3.55±0.10	3.15±0.10	4.10±0.40	5.90±0.20	3.40±0.20
	D	3.90±0.20	4.80±0.10	4.80±0.10	6.30±0.20	8.40±0.20	8.40±0.20
	E1	8.00±0.10	10.40±0.20	10.40±0.20	12.65±0.30	17.20±0.30	17.20±0.30
	E2		6.0min	6.0min	8.4min	10.5min	10.5min
磁芯常数 C1(mm ⁻¹) Core Factor		1.62	1.10	1.03	0.79	0.45	0.45
有效磁路长度 Le(mm) Effective Length Le		22.5	24.8	23.9	28.6	28.40	28.4
有效截面积 Ae(mm ²) Effective Area		13.9	22.7	23.2	36.6	63.10	63.1
有效体积 Ve(mm ³) Effective Volume		313	563	555	1046.76	1828.2	1828.2
重量 w Weight(g)		1.7	3.3	2.8	5.3	12.5	9.9
电感系数 A L(nH/N ²)	PC40	1000±25%	1570±25%	1720±25%	2300±25%	2800±25%	2800±25%
	PC44						
	TY-5K						
	TY-7K						
	TY-10K						
	TY-15K						

Self Electronic

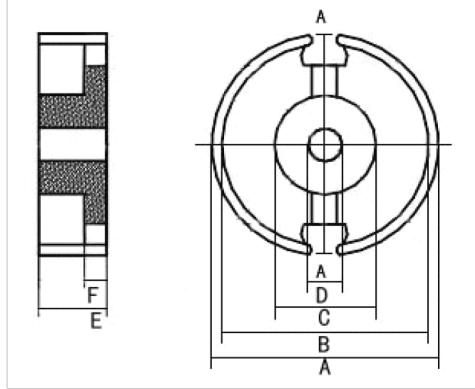


型号 Type		RM10	RM12	RM14			
尺寸 Dimension (mm)	A	27.85±0.65	37.60±0.30	42.20±1.40			
	B	8.90±0.25	12.25±0.10	10.20±0.05			
	C	24.15±0.55	29.80±1.20	34.80±1.30			
	F	6.20±0.25	8.40±0.30	10.55±0.20			
	D	10.70±0.20	12.80±0.40	15.00±0.50			
	E1	21.65±0.45	24.90±1.10	29.00±1.00			
	E2	13.3min					
磁芯常数 C1(mm ⁻¹) Core Factor		0.484	0.42	0.66			
有效磁路长度 Le(mm) Effective Length Le		44.3	60.6	72.8			
有效截面积 Ae(mm ²) Effective Area		92.1	144.0	199			
有效体积 Ve(mm ³) Effective Volume		4064	8752	14886			
重量 w Weight(g)		21.15	45.0	76.5			
电感系数 AL(nH/N ²)	PC40	6200±25%	5300±25%	4900±25%			
	PC44						
	TY-5K						
	TY-7K						
	TY-10K						
	TY-15K						

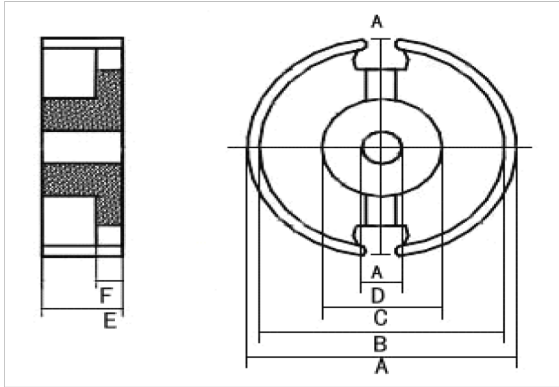
Self Electronic



型号 Type		EM12.6	EM15	EM16	EM16.6		
	A	12.6±0.30	15.50±0.30	16.50±0.30	16.60±0.45		
	B	6.30±0.15	6.55±0.15	7.20±0.15	7.50±0.20		
	C	4.00±0.30	5.00±0.30	5.00±0.30	4.40±0.20		
	D1	5.00±0.20	6.30±0.20	6.00±0.20	5.80±0.20		
	D2	2.10±0.15	2.30±0.15	2.40±0.15	2.80±0.20		
	E	9.50min	11.70min	12.60min	11.50min		
	F	4.90±0.20	4.85±0.20	5.30±0.20	4.40±0.20		
磁芯常数 C1(mm ⁻¹) Core Factor		2.80	1.9	2.1	1.9		
有效磁路长度 Le(mm) Effective Length Le		30.4	31.8	32.8	31.8		
有效截面 Ae(mm ²) Effective Area		10.6	16.7	16.2	18.6		
有效体积 Ve(mm ³) Effective Volume		343	532	524	760		
重量 w Weight(g)		1.8	2.85	3.2	3.7		
电感系数 AL (nH/N ²)	PC40	730±25%	900±25%	1200±25%	1200±25%		
	PC95		1100±25%				
	TY-5K						
	TY-7K						
	TY-10K						
	TY-15K						

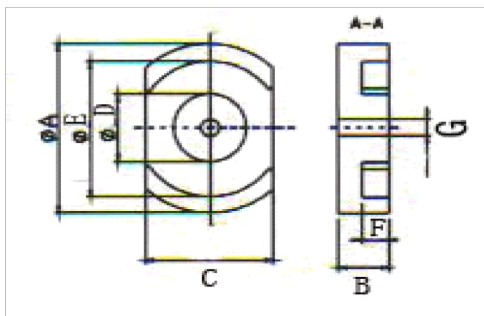


型号 Type		GU14/8	GU18/11	GU22/14	GU26/16	GU30/20
尺寸 Dimension (mm)	A	14.00±0.25	18.10±0.50	21.70±0.50	25.50±0.50	30.10±0.60
	B	11.60min	15.20±0.40	18.30±0.50	21.60±0.40	25.50±0.60
	C	6.00max	7.45±0.25	9.15±0.25	11.30±0.20	13.25±0.35
	D	3.10±0.10	3.05±0.15	4.50±0.20	5.70±0.20	5.50±0.20
	E	4.20±0.20	5.65±0.15	6.85±0.15	8.10±0.10	9.85±0.15
	F	2.80min	3.80±0.20	4.80±0.20	5.90±0.20	7.25±0.25
磁芯常数 C1(mm ⁻¹) Core Factor		0.789	0.579	0.502	0.400	0.331
有效磁路长度 Le(mm) Effective Length Le		19.8	25.8	31.6	37.0	45.0
有效截面积 Ae(mm ²) Effective Area		25.0	43.3	63.0	93.9	136
有效体积 Ve(mm ³) Effective Volume		495	1120	2000	3531	6100
重量 w Weight(g)		3.2	6.6	13	21	35
电感系数 AL(nH/N ²)	PC40	2130±25%	2960±25%	3300±25%	4600±25%	5800±25%
	PC44					
	TY-5K					
	TY-7K					
	TY-10K					
	TY-15K					

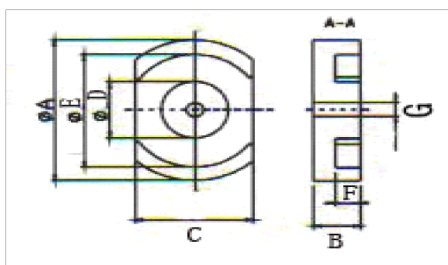


型号 Type		GU36/22			
尺寸 Dimension (mm)	A	33.70±0.60			
	B	26.50min			
	C	13.50±0.30			
	D	23.70±0.50			
	E	12.05±0.20			
	F	9.25±0.20			
磁芯常数 C1(mm ⁻¹) Core Factor		0.29			
有效磁路长度 Le(mm) Effective Length Le		53.25			
有效截面积 Ae(mm ²) Effective Area		183.67			
有效体积 Ve(mm ³) Effective Volume		9779.5			
重量 w Weight(g)		51			
电感系数 AL(nH/N ²)	PC40	8300±25%			
	PC44	8500±25%			
	TY-5K				
	TY-7K				
	TY-10K				
	TY-15K				

Self Electronic

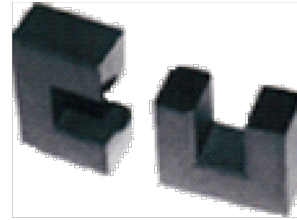
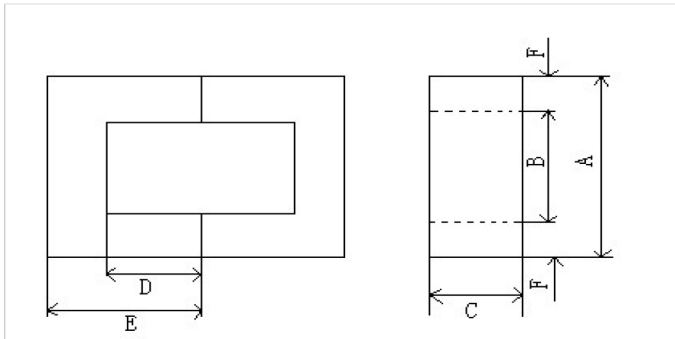


型号 Type		POT30/19	POT30/19A	POT30/19B	POT30/19C	POT33/19
尺寸 Dimension (mm)	A	30.00±0.50	30.00±0.50	30.00±0.50	30.00±0.50	33.00±0.50
	B	9.40±0.20	9.00±0.20	9.00±0.20	9.00±0.20	9.40±0.20
	C	20.30±0.40	20.25±0.35	20.60min	20.60min	23.50±0.40
	D	13.20±0.30	13.30±0.20	13.30±0.20	13.30±0.20	13.40±0.30
	E	25.20±0.50	24.60min	25.00min	25.00min	26.30±0.50
	F	6.60±0.20	6.60±0.20	6.65±0.25	6.00±0.25	6.50±0.20
	G	17.80min	5.60±0.20	5.60±0.20		
磁芯常数 C1(mm ⁻¹) Core Factor		0.395	0.40	0.37	0.36	0.35
有效磁路长度 Le(mm) Effective Length Le		46.2	47.5	43.7	44.1	51.4
有效截面积 Ae(mm ²) Effective Area		117.0	120.0	116.0	123.9	147.5
有效体积 Ve(mm ³) Effective Volume		5400	5705	5083	5464	7560
重量 w Weight(g)		29.1	31.5	28.1	30.2	39.4
电感系数 AL(nH/N ²)	PC40	4800±25%	5200±25%	5800±25%	6000±25%	5000±25%
	PC44					
	TY-5K					
	TY-7K					
	TY-10K					
	TY-15K					



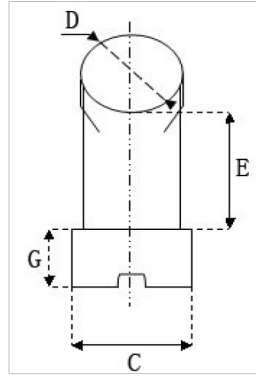
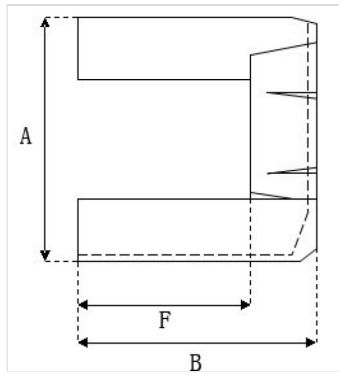
型号 Type		POT33.5/24	POT36/22	POT 40/25	POT 40/27	POT 43/22
尺寸 Dimension (mm)	A	33.50±0.40	35.60±0.60	40.00±0.50	40.00±0.50	43.00±0.50
	B	12.10±0.20	10.90±0.20	12.70±0.15	13.50±0.20	10.85±0.20
	C	24.00±0.30	26.20±0.60	28.30±0.40	28.30±0.40	32.20±0.35
	D	13.80±0.20	15.90±0.30	16.00±0.30	16.00±0.30	18.20±0.25
	E	26.80min	29.80min	33.30±0.50	33.30±0.50	35.00min
	F	9.10±0.25	7.55±0.25	9.150±0.20	9.90±0.20	6.78±0.20
	G	18.20min	5.50±0.2			
	H					
磁芯常数 C1(mm ⁻¹) Core Factor		0.37	0.25	0.33	0.39	0.22
有效磁路长度 Le(mm) Effective Length Le		59.3	52.6	68.8	77.7	61.6
有效截面积 Ae(mm ²) Effective Area		159.6	206.6	210.3	198.4	276.0
有效体积 Ve(mm ³) Effective Volume		9458	10867	14469	15412	16991
重量 w Weight(g)		52.2	60.0	79.9	85.1	81.0
电感系数 AL(nH/N ²)	PC40	5400	8300	7000	6000	9500
	PC44					
	TY-5K					
	TY-7K					
	TY-10K					
	TY-15K					

Self Electronic



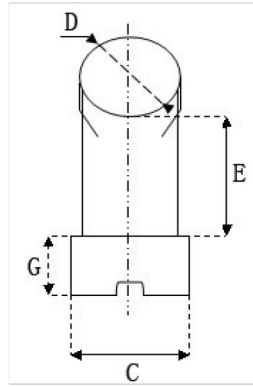
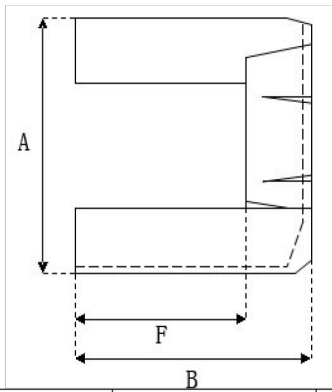
型号 Type		UF9.8	UF10.5	UF15.7	UF16	UF20.8	
尺寸 Dimension (mm)	A	9.80±0.20	10.5±0.30	15.7±0.30	16.00±0.30	20.80±0.60	
	B	4.30±0.20	5.50±0.30	6.30min	6.70min	6.30±0.60	
	C	2.75±0.20	5.30±0.20	6.00±0.30	6.00±0.20	7.40±0.30	
	D	4.25±0.20	5.30±0.20	6.00±0.30	6.00±0.30	8.00±0.60	
	E	7.10±0.20	7.80±0.20	9.70±0.25	10.00±0.30	15.60±0.30	
	F	2.75	2.50	4.50	4.60		
磁芯常数 C1(mm ⁻¹) Core Factor		4.46	3.02	2.01	1.97	1.27	
有效磁路长度 Le(mm) Effective Length Le		34.4	40.0	50.0	51.9	68.6	
有效截面积 Ae(mm ²) Effective Area		7.6	13.3	24.8	27.2	54.0	
有效体积 Ve(mm ³) Effective Volume		263.4	530.5	1240	1412.6	3700	
重量 w Weight(g)		1.4	2.8	6.5	7.4	18.8	
电感系数 AL (nH/N ²)	TY3						
	PC40					1700±25%	
	PC44						
	TY-5K					2400±25%	
	TY-7K	1300±25%	1900±25%	2600±25%	3300±25%		
	TY-10K	2000±25%	2500±25%	3500±25%	4000±25%		
	TY-15K	3000±25%	3500±25%	5000±25%	5000±25%		

Self Electronic



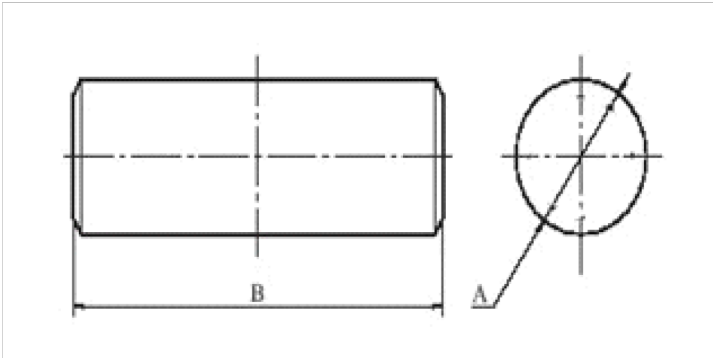
型号 Type		UYF30/10	UYF34/11	UYF35/13	UYF35/11.5	UYF35/12.5	UYF36/11.5
尺寸 Dimension (mm)	A	30.40±0.50	34.0 ^{+0.7} _{-0.3}	35.40±0.40	34.50±0.60	35.00±0.50	35.50±0.60
	B	30.00±0.30	30.50±0.30	28.10±0.30	29.20±0.30	32.30±0.30	32.50±0.30
	C	10.0 ^{+0.4} _{-0.3}	11.0 ^{+0.5} _{-0.3}	13.00±0.30	11.50±0.20	12.5 ^{+0.5} _{-0.3}	11.50±0.30
	D	10.00±0.30	11.00±0.30	13.00±0.30	11.50±0.20	12.50±0.30	11.50±0.20
	E	11.70min	14.20min	12.00min	13.00min	13.50min	14.00min
	F	21.60±0.30	21.50±0.30	18.10±0.30	19.20±0.20	22.30±0.30	22.50±0.20
	G	8.15±0.30	8.20±0.30			8.50±0.30	
磁芯常数 C1(mm ⁻¹) Core Factor		1.71	1.53	1.00	1.25	1.28	1.39
有效磁路长度 Le(mm) Effective Length Le		138.2	144.5	131.0	136.0	148.7	151.2
有效截面积 Ae(mm ²) Effective Area		81.0	94.4	130.9	108.9	116.6	108.8
有效体积 Ve(mm ³) Effective Volume		11193	13630	17145	14818	17330	16447
重量 w Weight(g)		57.0	69.3	87.2	75.4	88.2	83.7
电感系数 AL (nH/N ²)	TY3	1320	1530	2420	1870	1930	1750
	PC40						
	PC44						
	TY-7K						
	TY-10K						
	TY-15K						

Self Electronic



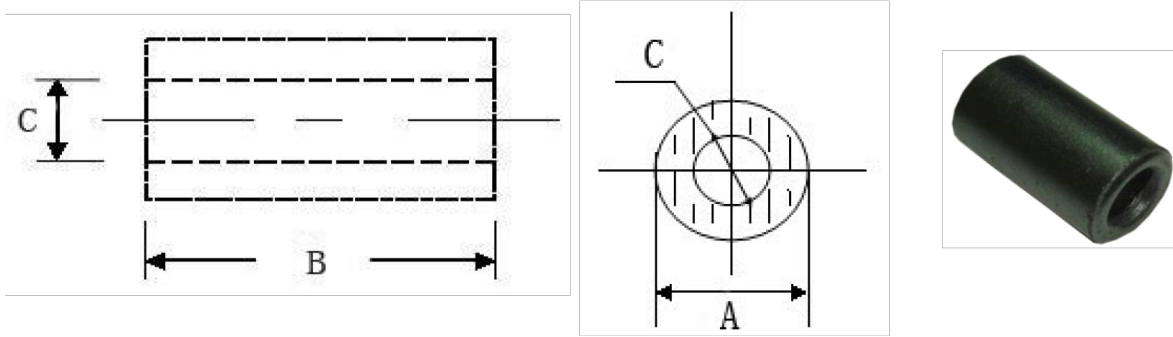
型号 Type		UYF36/13	UYF37/11.5	UYF38/13	UYF38/14	UYF41/14.5	UYF42/16
尺寸 Dimension (mm)	A	35.60±0.50	37.10±0.50	37.8 ^{+1.0} _{-0.5}	37.50±0.50	40.80±0.50	41.90±0.60
	B	34.00±0.30	32.60±0.30	33.60±0.30	33.50±0.30	34.50±0.30	37.00±0.20
	C	13.00±0.3	11.5 ^{+0.5} _{-0.3}	13.00±0.30	14.00±0.20	14.5 ^{+0.5} _{-0.3}	16.00±0.30
	D	13.00±0.30	11.5±00.30	13.00±0.30	14.00±0.30	14.50±0.30	16.00±0.30
	E	12.00min	14.85min	13.60min	12.50min	13.80min	13.80min
	F	24.00±0.30	22.80±0.30	23.00±0.30	22.00±0.30	22.50±0.30	24.90±0.20
	G	10.00±0.30	10.25±0.30	10.70±0.20		12.00±0.30	
磁芯常数 C1(mm ⁻¹) Core Factor		1.18	1.39	1.14	1.00	1.00	0.90
有效磁路长度 Le(mm) Effective Length Le		154.8	154.0	155.9	151.0	160.7	168.9
有效截面积 Ae(mm ²) Effective Area		131.0	110.8	136.4	149.0	165.7	186.0
有效体积 Ve(mm ³) Effective Volume		20270	17063	21257	22498	26628	31419
重量 w Weight(g)		103.1	86.8	108.2	114.5	135.5	159.9
电感系数 AL (nH/N ²)	TY3	2070	1760	2160	2460	2470	2760
	PC40						
	PC44						
	TY-7K						
	TY-10K						

Self Electronic



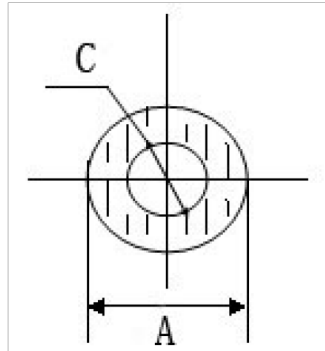
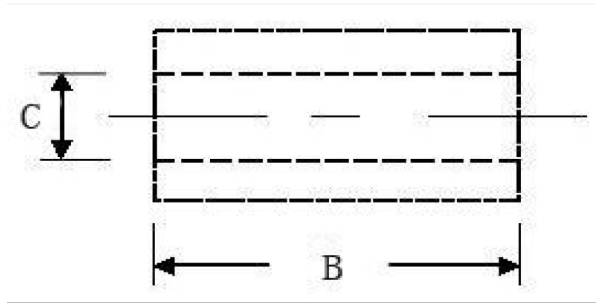
型号 Type	尺寸 Dimensions (mm)	
	A	B
R2*10	2.00	10.00
R2*14	2.00	14.00
R 3*10	3.00	10.00
R 3*12	3.00	12.00
R 3*15	3.00	15.00
R 4*15	4.00	15.00
R 4*20	4.00	20.00
R 5*20	5.00	20.00
R 6*15	6.00	15.00
R 6*20	6.00	20.00
R 6*25	6.00	25.00
R 6*30	6.00	30.00
R 8*20	8.00	20.00
R 8*30	8.00	30.00
R 8*32	8.00	32.00
R 10*50	10.00	50.00
R 10*70	10.00	70.00
R 10*150	10.00	150.00

Self Electronic



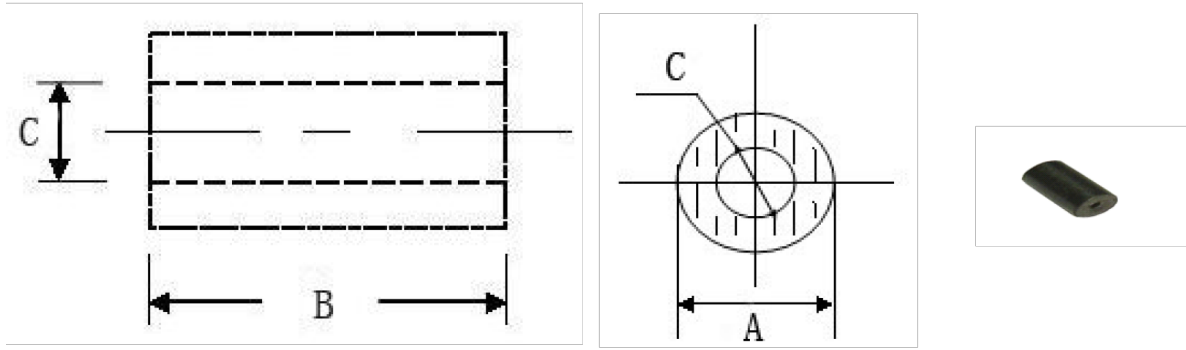
型号 Type	尺寸 Dimensions (mm)		
	A	B	C
RH3.5*4*0.8	3.50±0.12	4.00±0.25	0.80±0.08
RH3.5*5*0.8	3.50±0.12	5.00±0.25	0.80±0.08
RH3.5*6*0.8	3.50±0.12	6.00±0.25	0.80±0.08
RH3.5*4.5*1.0	3.50±0.12	4.50±0.25	1.0±0.10
RH3.5*5*1.0	3.50±0.12	5.00±0.25	1.00±0.10
RH3.5*6*1.0	3.50±0.12	6.00±0.25	1.00±0.10
RH3.5*6*1.2	3.50±0.12	6.00±0.25	1.20±0.12
RH3.5*4*1.3	3.50±0.12	4.00±0.25	1.30±0.12
RH3.5*5*1.3	3.50±0.12	5.00±0.25	1.30±0.12
RH3.5*6*1.3	3.50±0.12	6.00±0.25	1.30±0.13
RH3.5*4*1.5	3.50±0.12	4.00±0.25	1.50±0.15
RH3.5*5*1.5	3.50±0.12	5.00±0.25	1.50±0.15
RH4.0*6*1.5	4.00±0.15	6.00±0.25	1.50±0.15
RH4.0*6*2.0	4.00±0.15	6.00±0.25	2.00±0.15
RH4.0*8*2.0	4.00±0.15	8.00±0.30	2.00±0.20
RH4.0*10.2.0	4.00±0.15	10.00±0.40	2.00±0.20

Self Electronic

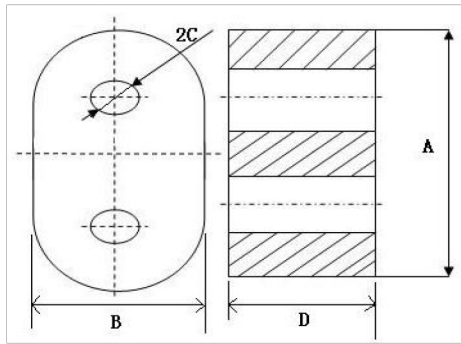


型号 Type	尺寸 Dimensions (mm)		
	A	B	C
RH5.0*6*3.0	5.00±0.25	6.00±0.25	3.00±0.2
RH5.0*8*3.0	5.00±0.25	8.00±0.30	3.00±0.2
RH9.3*20*4	9.30 ^{+0.3} _{-0.5}	20.00±0.6	4.00±0.3
RH10*20*5.6	10.00±0.4	20.00±0.6	5.60±0.3
RH11*25*5	11.00±0.4	25.00±0.6	5.00±0.3
RH12*16*8.5	12.00±0.4	16.00±0.5	8.50±0.4
RH14.2*28.5*9	14.20±0.4	28.50±0.6	9.00±0.4
RH14.2*29*6.5	14.20±0.4	29.00±0.7	6.50±0.3
RH16*20*7	16.00±0.4	20.00±0.6	7.00±0.4
RH16*20*9	16.00±0.4	20.00±0.6	9.00±0.4
RH17.5*26.5*9.5	17.50±0.4	26.50±0.6	9.50±0.4
RH17.5*27*8.3	17.50±0.4	27.00±0.6	8.30±0.4

Self Electronic

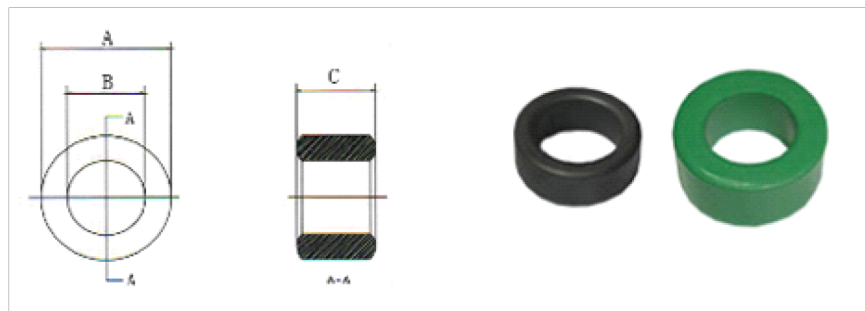


型号 Type	尺寸 Dimensions (mm)		
	A	B	C
RH3.5*4*0.8	3.50±0.12	4.00±0.25	0.80±0.08
RH3.5*5*0.8	3.50±0.12	5.00±0.25	0.80±0.08
RH3.5*6*0.8	3.50±0.12	6.00±0.25	0.80±0.08
RH3.5*4.5*1.0	3.50±0.12	4.50±0.25	1.0±0.10
RH3.5*5*1.0	3.50±0.12	5.00±0.25	1.00±0.10
RH3.5*6*1.0	3.50±0.12	6.00±0.25	1.00±0.10
RH3.5*6*1.2	3.50±0.12	6.00±0.25	1.20±0.12
RH3.5*4*1.3	3.50±0.12	4.00±0.25	1.30±0.12
RH3.5*5*1.3	3.50±0.12	5.00±0.25	1.30±0.12
RH3.5*6*1.3	3.50±0.12	6.00±0.25	1.30±0.13
RH3.5*4*1.5	3.50±0.12	4.00±0.25	1.50±0.15
RH3.5*5*1.5	3.50±0.12	5.00±0.25	1.50±0.15
RH4.0*6*1.5	4.00±0.15	6.00±0.25	1.50±0.15
RH4.0*6*2.0	4.00±0.15	6.00±0.25	2.00±0.15
RH4.0*8*2.0	4.00±0.15	8.00±0.30	2.00±0.20
RH4.0*10.2.0	4.00±0.15	10.00±0.40	2.00±0.20
RH5.0*6*3.0	5.00±0.25	6.00±0.25	3.00±0.20
RH5.0*8*3.0	5.00±0.25	8.00±0.30	3.00±0.20

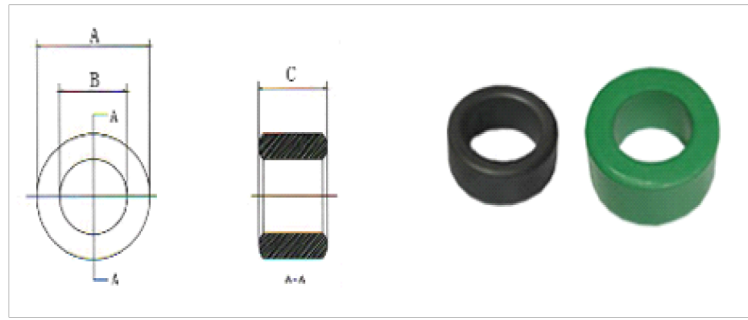


型号 Type	尺寸 Dimensions (mm)			
	A	B	C	D
3.5×2.0×3.0×1.0	3.5±0.25	2.0±0.25	1.0±0.10	3.0±0.25
3.5×2.0×4.0×1.0	3.5±0.25	2.0±0.25	1.0±0.10	4.0±0.25
5.0×3.0×3.5×1.2	5.0±0.25	3.0±0.25	1.2±0.15	3.5±0.25
5.0×3.0×5.0×1.2	5.0±0.25	3.0±0.25	1.2±0.15	5.0±0.25
5.5×3.0×3.0×1.2	5.5±0.25	3.0±0.25	1.2±0.15	3.0±0.25
5.5×3.0×5.0×1.2	5.5±0.25	3.0±0.25	1.2±0.15	5.0±0.25
6.5×3.0×3.0×1.2	6.5±0.25	3.0±0.25	1.2±0.15	3.0±0.25
6.5×3.0×4.0×1.2	6.5±0.25	3.0±0.25	1.2±0.15	4.0±0.25
7.0×4.0×4.0×1.2	7.0±0.30	4.0±0.25	1.2±0.15	4.0±0.20
7.0×4.0×5.0×1.2	7.0±0.30	4.0±0.25	1.2±0.15	5.0±0.25
7.0×4.0×4.0×1.8	7.0±0.30	4.0±0.25	1.8±0.10	4.0±0.20
7.0×4.0×6.0×1.8	7.0±0.30	4.0±0.25	1.8±0.10	6.0±0.30

Self Electronic

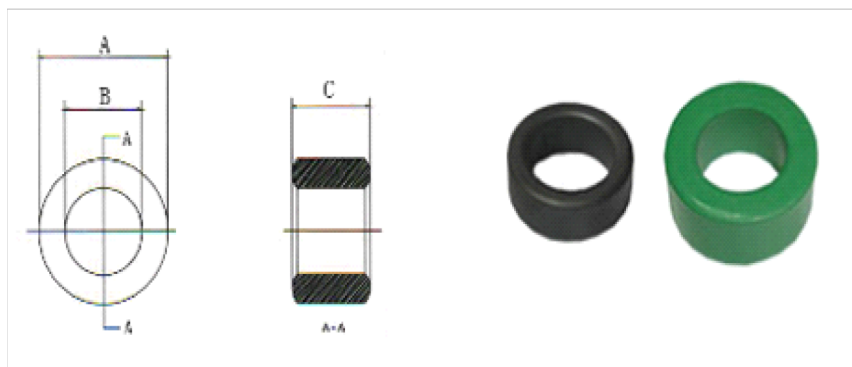


型号 Type	A	B	C	Wt(g/prs)	PC40	TY-5K	TY-7K	TY-10K
T6*3*3	6.0±0.3	3.0±0.3	3.0±0.3	0.3	950	2300	3100	4200
T6*4*3	6.3±0.3	3.8±0.3	2.5±0.3	0.3	580	1400	1900	2500
T7*4*4	7.0±0.3	4.0±0.3	4.0±0.3	0.5	1000	2500	3400	4500
T7*4*2	7.0±0.3	4.3±0.3	2.2±0.3	0.3	490	1200	1600	2100
T8*4*4	8.0±0.3	4.0±0.3	4.0±0.3	0.8	1300	3100	4200	5600
T8*5*3	8.0±0.3	5.0±0.3	3.0±0.3	0.5	650	1600	2100	2800
T9*5*4	9.0±0.3	5.0±0.3	4.0±0.3	0.9	1100	2600	3500	4700
T10*5*19	9.5±0.3	5.1±0.3	19.05±0.4	4.7	5500	13000	17700	23700
T10*5*5	9.53±0.3	4.75±0.3	4.78±0.3	1.2	1500	3700	5000	6700
T10*5*3	10.0±0.3	5.0±0.3	3.0±0.3	0.9	950	2300	3100	4100
T10*5*5	10.0±0.3	5.0±0.3	5.0±0.3	1.4	1600	3800	5200	6900
T10*6*3	10.0±0.3	6.0±0.3	3.0±0.3	0.7	700	1700	2300	3100
T10*6*4	10.0±0.3	6.0±0.3	3.5±0.3	0.9	820	1900	2700	3700
T10*6*4	10.0±0.3	6.0±0.3	4.0±0.3	1	940	2200	3100	4100
T11*7*3	10.99±0.3	6.83±0.3	2.97±0.3	0.8	650	1500	2100	2800
T11*7*7	11.12±0.3	7.11±0.3	7.09±0.3	2	1460	3500	4700	6300
T12*6*4	12.0±0.4	6.0±0.4	4.0±0.3	1.7	1280	3000	4100	5500
T13*7*5	12.7±0.4	7.14±0.4	4.78±0.3	2	1270	3000	4100	5500
T13*7*6	12.7±0.4	7.14±0.4	6.35±0.3	2.7	1700	4000	5500	7300
T13*8*5	12.7±0.4	7.8±0.4	5.0±0.3	1.9	1100	2700	3600	4800
T13*8*6	12.7±0.4	7.9±0.4	6.35±0.3	2.4	1400	3300	4500	6000
T13*8*7	12.7±0.4	7.9±0.4	7.0±0.3	2.6	1500	3600	5000	6600
T13*7*4	12.85±0.4	7.35±0.4	4.0±0.3	1.7	1000	2400	3300	4500
T13*7*5	13.0±0.4	7.0±0.4	5.0±0.3	2.3	1400	3400	4600	6200
T13*7*4	13.21±0.4	7.37±0.4	3.96±0.3	1.8	1000	2500	3400	4600

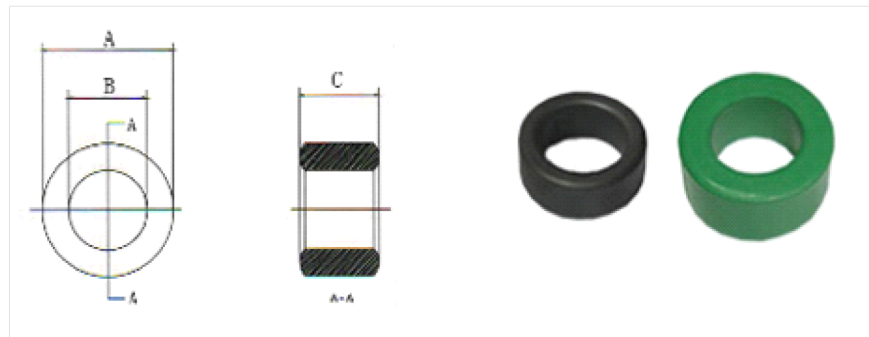


型号 Type	A	B	C	Wt(g/prs)	PC40	TY-5K	TY-7K	TY-10K
T13*9*5	13.3±0.4	8.5±0.4	5.0±0.3	1.8	1000	2400	3300	4500
T14*7*7	14.0±0.4	7.0±0.4	7.0±0.3	3.9	2200	5300	7200	9700
T14*8*4	14.0±0.4	8.0±0.4	4.0±0.3	2	1000	2400	3300	4500
T14*8*7	14.0±0.4	8.0±0.4	7.0±0.3	3.5	1800	4300	5800	7800
T14*8*9	14.0±0.4	8.0±0.4	9.0±0.3	4.5	2300	5500	7500	10050
T14*8*12	14.0±0.4	8.4±0.4	12.0±0.4	5.7	2800	6700	9200	12200
T14*9*5	14.0±0.4	9.0±0.4	5.0±0.3	2.2	1000	2400	3300	4400
T14*6*14	14.27±0.4	6.35±0.25	13.46±0.3	8.4	5000	12000	16000	21700
T14*7*29	14.3±0.4	7.25±0.25	28.6±0.60	16.6	8400	20000	27300	36500
T16*10*5	15.8±0.4	9.5±0.4	5.0±0.3	3.1	1100	2800	3800	5100
T16*10*9	16.1±0.4	9.55±0.25	9.45±0.3	6.1	2300	5400	7400	9900
T16*10*7	16.0±0.4	10.0±0.4	7.0±0.3	4.2	1500	3600	4900	6500
T16*12*8	16.0±0.4	12.0±0.4	8.0±0.3	3.4	1000	2500	3400	4600
T16*9*5	16.0±0.4	9.0±0.4	5.0±0.3	3.3	1300	3100	4300	5700
T16*9*8	16.0±0.4	9.0±0.4	8.0±0.3	5.3	2100	5000	6900	9200
T16*10*6	16.0±0.4	9.6±0.4	6.3±0.3	3.9	1400	3500	4800	6400
T16*10*8	16.0±0.4	9.6±0.4	8.0±0.3	5	1900	4500	6100	8100
T17*11*8	16.64±0.4	11.3±0.4	8.05±0.3	4.5	1400	3400	4600	6200
T17*4*19	17.0±0.4	4.2±0.15	18.95±0.4	19.6	12100	29100	39700	52900
T18*12*7	17.5±0.4	11.5±0.4	7.0±0.3	4.7	1300	3200	4400	5800
T18*10*10	18.0±0.4	10.0±0.4	10.0±0.3	8.5	2700	6400	8800	11700
T18*10*5	18.0±0.4	10.0±0.4	5.0±0.3	4.3	1300	3200	4400	5800
T18*10*7	18.0±0.4	10.0±0.4	7.0±0.3	6	1890	4520	6170	8200
T18*10*8	18.0±0.4	10.0±0.4	8.0±0.3	6.8	2200	5200	7000	9400
T18*12*6	18.0±0.4	12.0±0.4	6.0±0.3	4.1	1100	2700	3600	4800

Self Electronic

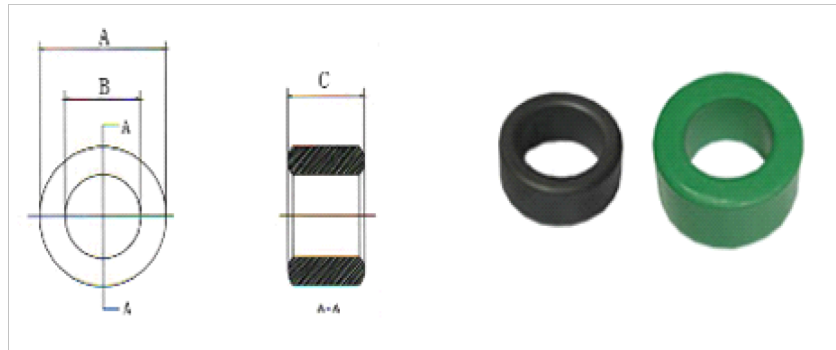


型号 Type	A	B	C	Wt(g/prs)	PC40	TY-5K	TY-7K	TY-10K
T19*13*11	19.0±0.4	13.0±0.4	11.0±0.3	8.1	1900	4600	6200	8300
T20*10*10	20.0±0.5	10.0±0.5	10.0±0.3	11.4	3200	7900	10400	13800
T20*11*10	20.0±0.5	11.0±0.5	10.0±0.3	10.6	2750	6580	8970	11960
T20*12*10	20.0±0.5	12.0±0.5	10.0±0.3	9.8	2300	5600	7600	10200
T20*12*8	20.0±0.5	12.0±0.5	8.0±0.3	7.8	1800	4500	6100	8100
T22*10*10	22.0±0.6	10.0±0.6	10.0±0.3	14.6	3600	8600	11800	15700
T22*11*12	22.0±0.6	11.0±0.6	11.5±0.4	15.9	3600	8700	11900	15900
T22*14*6	22.0±0.6	14.0±0.6	6.0±0.3	6.6	1200	3000	4100	5400
T22*14*7	22.0±0.6	14.0±0.6	6.5±0.3	7.1	1300	3200	4400	5900
T22*14*8	22.0±0.6	14.0±0.6	8.0±0.3	8.8	1600	4000	5400	7200
T22*14*10	22.0±0.6	14.0±0.6	10.0±0.3	11	2000	4900	6700	9000
T22*14*12.5	22.0±0.5	14.0±0.4	12.7±0.3	8.7	1800	3600	5040	7230
T22*14*13	22.0±0.6	14.0±0.6	13.0±0.3	14.3	2700	6400	8800	11700
T25*15*8	25.0±0.5	15.0±0.5	8.0±0.3	13.5	2000	4000	5600	8000
T25*15*10	25.0±0.6	15.0±0.6	10.0±0.3	15.3	2400	5600	7600	10200
T25*15*11	25.0±0.6	15.0±0.6	11.0±0.3	16.8	2580	6180	8400	11240
T25*15*12	25.0±0.6	15.0±0.6	12.0±0.3	18.3	2800	6700	9200	12300
T25*15*13	25.0±0.6	15.0±0.6	13.0±0.3	19.8	3100	7300	9900	13200
T25*15*15	25.0±0.6	15.0±0.6	15.0±0.3	22.9	3500	8400	11500	15300
T25*15*4	25.0±0.6	15.0±0.6	4.0±0.3	6.1	940	2300	3100	4100
T25*15*5	25.0±0.6	15.0±0.6	5.0±0.3	7.6	1170	2800	3800	5100
T25*15*6	25.0±0.6	15.0±0.6	6.0±0.3	9.1	1400	3400	4600	6100
T25*15*8	25.0±0.6	15.0±0.6	8.0±0.3	12.2	1900	4500	6100	8200
T25*16*6	25.4±0.6	15.5±0.6	6.35±0.3	9.8	1400	3500	4700	6200
T26*13*29	25.91±0.6	12.83±0.6	28.58±0.6	55.2	9200	22000	30100	40100



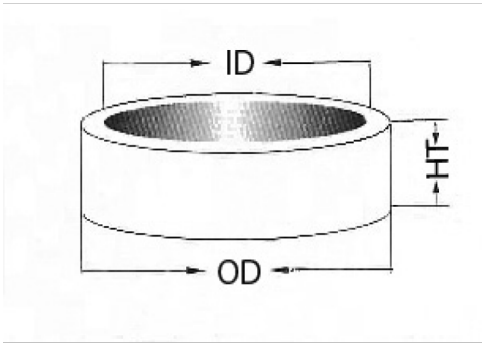
型号 Type	A	B	C	Wt(g/prs)	PC40	TY-5K	TY-7K	TY-10K
T26*15*15	26.0±0.6	14.5±0.6	15.0±0.3	23.7	4000	9600	13100	17500
T27*11*8	27.0±0.6	11.0±0.6	8.0±0.3	18.5	3300	7900	10800	14300
T28*14*14	28.0±0.6	14.0±0.6	14.0±0.3	31.4	4500	10600	14500	19400
T28*16*13	28.0±0.6	16.0±0.6	13.0±0.3	26.2	3400	8000	10900	14500
T28*14*13	28.4±0.6	13.6±0.6	12.5±0.3	29.6	4200	9900	13500	18000
T29*19*14	29.0±0.6	19.0±0.6	13.8±0.3	25.2	2700	6400	8700	11700
T29*19*15	29.0±0.6	19.0±0.6	15.2±0.3	27.8	3000	7100	9600	12800
T31*19*8	31.0±0.6	18.0±0.4	8.0±0.2	20	2170	4340	6076	8680
T31*19*13	31.0±0.6	19.0±0.6	12.5±0.3	28.6	2800	6700	9200	12200
T31*19*13	31.0±0.6	19.0±0.6	13.0±0.3	29.7	2900	7000	9600	12700
T31*19*15	31.0±0.6	19.0±0.6	15.0±0.3	34.3	3400	8100	11000	14600
T31*20*15	31.0±0.6	20.0±0.6	15.0±0.3	32.1	3000	7200	9800	13100
T35*21*6.5	35.0±0.6	21.0±0.5	6.5±0.3	19.2	1600	3300	4600	6600
T36*23*6.5	36.0±0.7	23.0±0.6	6.5±0.3	19	1460	2920	4090	5840
T36*23*13	36.0±0.6	23.0±0.6	13.0±0.3	38	2700	6400	8700	11600
T36*23*15	36.0±0.6	23.0±0.6	15.0±0.3	43.8	3100	7400	10100	13400
T37*22*15	37.0±0.7	22.0±0.7	15.0±0.3	50.6	3600	8600	11700	15600
T38*19*13	38.0±0.7	19.0±0.7	13.0±0.3	56.6	4100	9900	13500	18000
T38*22*15	38.0±0.7	22.0±0.7	15.0±0.3	54.9	3800	9000	12300	16400
T38*19*22	38.0±0.8	19.0±0.5	22±0.6	89	7600	15200	21800	30400
T38*19*25.4	38.0±0.8	19.0±0.5	25.4±0.6	104	8700	17540	24560	35100
T38*25*15	38.1±0.7	25.4±0.7	15.0±0.3	46.8	2900	6900	9400	12600
T40*24*16	40.0±1.0	24.0±0.7	16.0±0.5	61	4080	8160	11200	16300
T40*5.4*1	40±0.76	5.4±0.25	1.0±0.1	6	920	2200	3000	4000
T42*26*18	42.0±0.7	26.0±0.7	17.75±0.5	73.6	3900	9300	12800	17000

Self Electronic



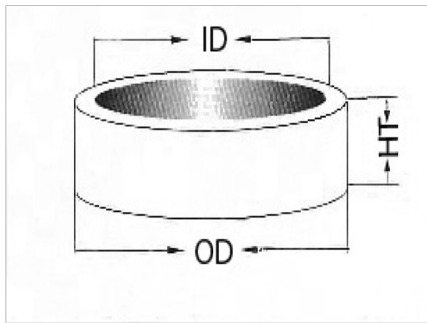
型号 Type	A	B	C	Wt(g/prs)	PC40	TY-5K	TY-7K	TY-10K
T45*25*8	45.0±1.2	25.0±0.7	8.0±0.3	42	2160	2600	6050	8640
T47*27*15	47.0±0.7	27.0±0.7	15.0±0.3	84.6	3800	9100	12500	16600
T48*30*8	48.0±1.2	30.0±0.6	8.0±0.4	42	1870	3740	5230	7480
T48*30*15	48.0±1.2	30.0±0.6	15.0±0.4	80	3500	7000	9870	14100
T49*34*16	49.1±0.7	33.8±0.7	15.9±0.35	76.8	2700	6500	8900	11900
T50*25*20	50.0±0.8	25.0±0.8	20.0±0.5	143	6400	15200	20800	27700
T50*27*18	50.0±1.2	27.0±0.6	18.0±0.4	120	5500	11000	15000	22000
T50*30*20	50.0±0.8	30.0±0.8	20.0±0.5	121.9	4700	11200	15300	20400
T50*35*20	50.0±0.8	35.0±0.8	20.0±0.5	97.1	3300	7800	10700	14200
T56*32*18	56.0±1.6	32.0±0.8	18.0±0.6	143	5040	11000	14100	20100
T58.5*40*18	58.5±1.6	40.0±0.8	18.0±0.6	123	3400	6800	9000	13000
T60*30*20	60.0±1.8	30.0±1.0	20.0±0.8	206	6930	13860	19400	27730
T60*36*20	60.0±1.8	36.0±1.0	20.0±0.8	174	5600	11200	14300	22400
T63*38*20	63.0±2.0	38.0±1.0	20.0±0.6	240	5040	10080	14100	20160
T63*38*25	63.0±2.0	38.0±1.0	25.0±0.6	300	6300	12640	17690	25300
T68*44*20	68.0±1.5	44.0±1.0	20.0±0.4	205	4350	8700	12200	17400
T74*39*13	73.65±1	38.85±0.7	12.7±0.35	159.5	3400	8100		
T80*50*20	80.0±2.5	50.0±1.5	20.0±0.8	293	4700	9400	13200	18800
T90*60*30	90.0±1.5	60.0±1.5	30.0±1.5	339	6000	12000	17000	24000
T100*55*20	100.0±3.0	55.0±1.5	20.0±0.4	525	5970	11940	16716	23900
T124*60*20	124.0±4.0	60.0±2.5	20.0±1.5	890	7260	14520	20320	26430
T124*60*40	124.0±4.0	60.0±2.5	40.0±1.5	1780	14520	20940	40660	41880
T152*68*20	152.0±4.0	68.0±2.5	19.0±1.5	1394	8000	16000	22000	32000
T152*104*19	152.0±4.0	104.0±2.5	19.0±1.5	880	3600	7000	10000	14000

Self Electronic



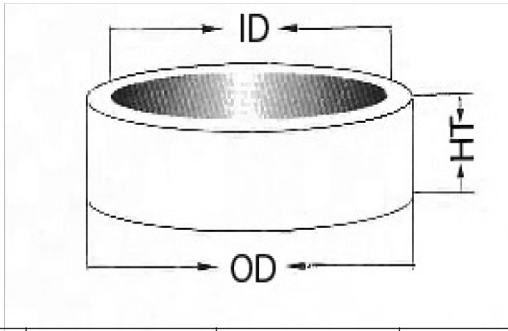
型号 Type	电感系数 AL(nH/N ²)	外径 OD(mm)	内径 ID(mm)	高度 HT(mm)	有效长度 Le(mm)	有效截面积 Ae(mm ²)	有效体积 Ve(mm ³)
T50-26	33.0	12.70	7.70	4.83	31.90	11.20	358
T50-26(B)	43.5	12.70	7.70	6.35	31.90	14.70	471
T50-26(C)	61.0	12.70	7.70	8.51	31.9	19.70	630
T50-26(D)	72.0	12.70	7.70	9.53	31.90	22.10	710
T51-26(C)	83.0	12.70	5.08	6.35	27.90	22.60	630
T60-26	50.0	15.20	8.53	5.94	37.40	18.70	699
T60-26(D)	97.0	15.20	8.53	11.84	37.40	37.40	1399
T68-26	43.5	17.50	9.40	4.83	42.30	17.90	759
T68-26(A)	58.0	17.50	9.40	6.35	42.30	24.20	1030
T68-26(D)	87.0	17.50	9.40	9.53	42.30	36.30	1550
T72-26	90.0	18.30	7.11	6.60	40.10	34.90	1400
T80-26	46.0	20.20	12.60	6.35	51.40	23.10	1190
T80-26(B)	71.0	20.20	12.60	9.53	51.40	34.60	1780
T80-26(D)	92.0	20.20	12.60	12.70	51.40	79.20	2330
T90-26	70.0	22.90	14.00	9.53	57.90	39.50	2280
T94-26	60.0	23.90	14.20	7.92	59.70	36.20	2160

Self Electronic



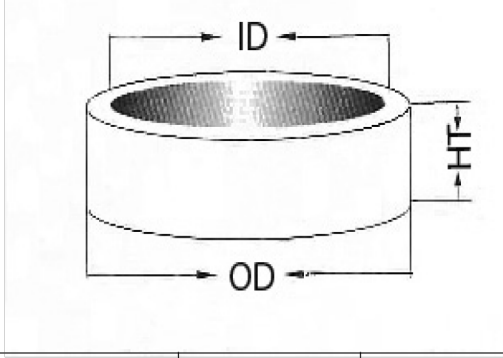
型号 Type	电感系数 AL(nH/N ²)	外径 OD(mm)	内径 ID(mm)	高度 HT(mm)	有效长度 Le(mm)	有效截面积 Ae(mm ²)	有效体积 Ve(mm ³)
T106-26	93.0	26.90	14.50	11.10	64.9	65.90	4280
T106-26(A)	67.0	26.90	14.50	7.92	64.90	73.10	3050
T106-26(B)	124.0	26.90	14.50	14.50	64.90	1340	2280
T124-26	58.0	31.60	18.00	7.10	77.90	45.90	3350
T124-26(A)	61.0	31.60	18.00	8.64	77.90	58.80	4550
T124-26(B)	115.0	31.60	18.00	16.30	77.90	111.00	8370
T130-26	81.0	33.00	19.80	11.10	82.80	69.80	5780
T130-26(A)	41.0	33.00	19.80	5.72	82.80	35.90	2980
T131-26	116.0	33.00	16.30	11.10	77.40	88.50	6840
T132-26	103.0	33.00	17.80	11.10	79.80	80.50	6410
T141-26	75.0	35.90	22.40	10.50	91.50	67.40	6160
T150-26	96.0	38.40	21.50	11.10	94.00	93.80	8820
T150-26(A)	66.0	38.40	21.50	8.25	94.00	69.80	6560
T157-26	100.0	39.90	24.10	14.50	101.00	106.00	10700
T175-26	105.0	44.50	27.20	16.50	112.00	134.00	15000
T184-26	169.0	46.70	24.10	18.00	112.00	188.00	21000

Self Electronic

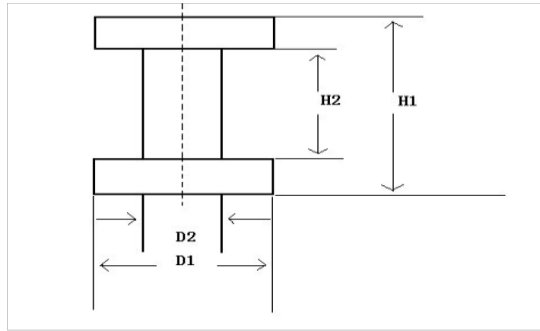


型号 Type	电感系数 AL(nH/N ²)	外径 OD(mm)	内径 ID(mm)	高度 HT(mm)	有效长度 Le(mm)	有效截面积 Ae(mm ²)	有效体积 Ve(mm ³)
T37-52	26	9.53	5.21	3.25	23.10	6.40	147
T38-52	49	9.53	4.45	4.83	21.80	11.40	248
T44-52	35	11.20	5.82	4.04	26.80	9.90	248
T50-52	33.0	12.70	7.70	4.83	31.90	11.20	358
T50-52(B)	43.5	12.70	7.70	6.35	31.90	14.70	471
T50-52(D)	66.0	12.70	7.70	9.53	31.90	22.10	710
T51-52(C)	75.0	12.70	5.08	6.35	27.90	22.60	630
T60-52	47.0	15.20	8.53	5.94	37.40	18.70	699
T60-52(D)	94.0	15.20	8.53	11.84	37.40	37.40	1399
T68-52	40.0	17.50	9.40	4.83	42.30	17.90	759
T68-52(A)	54.0	17.50	9.40	6.35	42.30	24.20	1030
T68-52(D)	80.0	17.50	9.40	9.53	42.30	36.30	1550
T72-52	82.0	18.30	7.11	6.60	40.10	34.90	1400
T80-52	42.0	20.20	12.60	6.35	51.40	23.10	1190
T80-52(B)	63.0	20.20	12.60	9.53	51.40	34.60	1780
T80-52(D)	83.0	20.20	12.60	12.70	51.40	79.20	2330

Self Electronic



型号 TYPE	电感系数 AL(nH/N ²)	外径 OD(mm)	内径 ID(mm)	高度 HT(mm)	有效长度 Le(mm)	有效截面积 Ae(mm ²)	有效体积 Ve(mm ³)
T90-52	64.0	22.90	14.00	9.53	57.90	39.50	2280
T94-52	57.0	23.90	14.20	7.92	59.70	36.20	2160
T106-52	95.0	26.90	14.50	11.10	64.90	65.90	4280
T106-52(A)	67.0	26.90	14.50	7.92	64.90	73.10	3050
T106-52(B)	124.0	26.90	14.50	14.50	64.90	1340	2280
T130-52	79.0	33.00	19.80	11.10	82.80	69.80	5780
T131-52	108.0	33.00	16.30	11.10	77.40	88.50	6840
T132-52	95.0	33.00	17.80	11.10	79.80	80.50	6410
T141-52	69.0	35.90	22.40	10.50	91.50	67.40	6160
T150-52	89.0	38.40	21.50	11.10	94.00	93.80	8820
T157-52	99.0	39.90	24.10	14.50	101.00	106.00	10700
T175-52	105.0	44.50	27.20	16.50	112.0	134.00	15000
T184-52	159.0	46.70	24.10	18.00	112.0	188.00	21000



型号 Type	尺寸 Dimensions (mm)			
	D1	D2	H1	H2
DR3*4	3.00±0.15	1.50±0.20	4.00±0.20	1.50±0.20
DR3*6	3.00±0.15	1.50±0.20	6.00±0.20	2.0±0.2
DR4*5.5	4.00±0.20	1.70±0.20	5.50±0.20	2.0±0.2
DR4*6	4.00±0.20	1.90±0.20	6.32±0.20	2.96±0.20
DR6*8	6.00±0.15	2.60±0.15	8.00±0.15	3.90±0.15
DR7.5*7	7.50±0.20	3.10±0.20	7.00±0.20	4.00±0.20
DR8*10	8.00±0.20	3.77±0.20	10.00±0.20	6.00±0.20
DR9*12	9.00±0.20	4.10±0.20	12.00±0.20	7.00±0.20
DR9*13	9.00±0.20	4.00±0.20	13.00±0.20	8.10±0.20
DR10*12	10.00±0.20	5.00±0.20	12.00±0.20	7.00±0.20
DR10*12	10.00±0.20	4.00±0.20	12.00±0.20	7.00±0.20
DR10*16	10.00±0.20	5.06±0.20	16.00±0.20	10.20±0.20
DR12*13	12.00±0.20	3.80±0.20	13.00±0.20	8.00±0.20
DR10*16	10.00±0.20	6.00±0.20	16.00±0.20	10.50±0.20
DR12*16	12.00±0.20	6.70±0.20	16.00±0.20	10.20±0.20
DR14*15	14.00±0.20	5.00±0.20	15.00±0.20	11.00±0.20
DR16*18	16.00±0.30	8.00±0.30	18.00±0.30	12.00±0.30
DR18*18	18.00±0.30	9.90±0.30	18.00±0.30	10.00±0.30
DR25*21	25.00±0.50	13.00±0.20	21.00±0.50	13.50±0.30